

## WARRANTY EXTENSION FOR UP TO FIVE YEARS



B-SAFE

Available for just about our entire product range, the BITZER warranty extension pack offers a simple and affordable solution for extending warranty coverage. For a fraction of the compressor's or product's price, customers can extend their warranty by up to five years. This highly adjustable solution is available on a case-by-case basis, with a term that can be adapted to meet your customers' needs. A simple online registration process will initiate the extension, giving your customers peace of mind for years to come.

- // Available for almost any product
- // Flexible term of up to five years
- // Self-explanatory online registration

## FREE ONE-YEAR WARRANTY EXTENSION FOR ALL INTELLIGENT PRODUCTS



B-SAFE



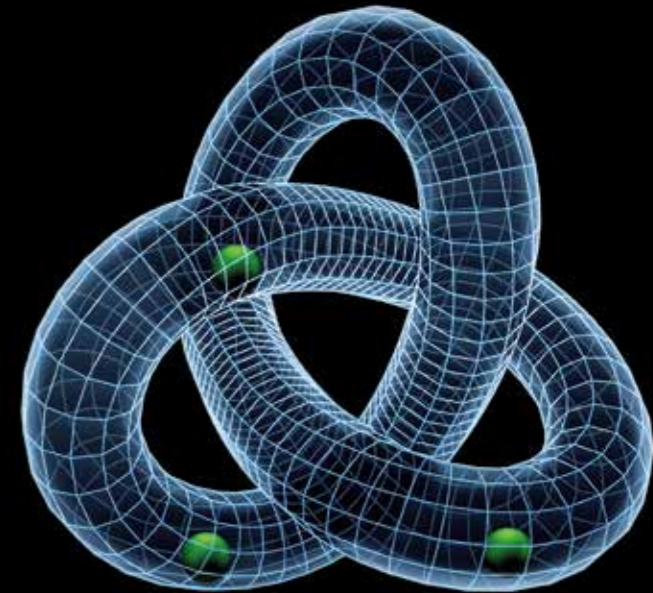
INTELLIGENT  
PRODUCTS

INTELLIGENT PRODUCTS (IQ) by BITZER ensure efficient compressor operation as well as reliable availability within the operating range. At BITZER, we wholeheartedly believe in the benefits provided by this new concept, as demonstrated by our complimentary one-year warranty extension. All BITZER IQ products benefit from free storage of commissioning reports and data logs provided by the IQ MODULE and BEST SOFTWARE.

- // Efficient operation and availability
- // One-year extension at no cost
- // Free storage of reports and data logs

## GET THE BEST OUT OF YOUR COMPRESSOR: WITH BITZER ORIGINAL ACCESSORIES AND REFRIGERATION OILS

AF-710-2 EN



**BITZER  
SPOT APP**

(Scan for online registration)

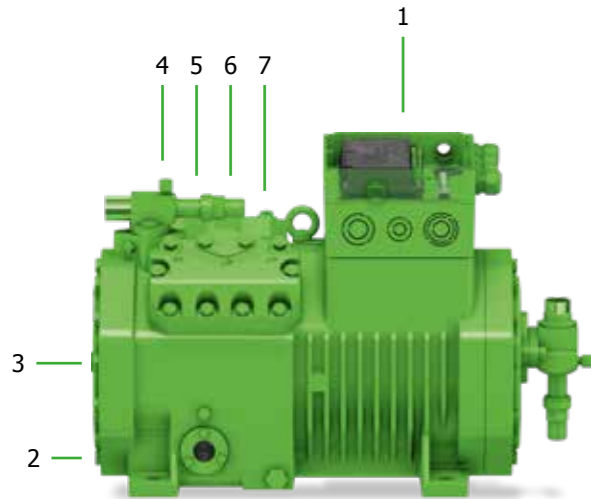
**BITZER Kühlmaschinenbau GmbH**  
Peter-Schaufler-Platz 1  
71065 Sindelfingen // Germany  
Tel +49 7031 932-0 // Fax +49 7031 932-147  
bitzer@bitzer.de // www.bitzer.de

Subject to change // 80006802 // 03.2020



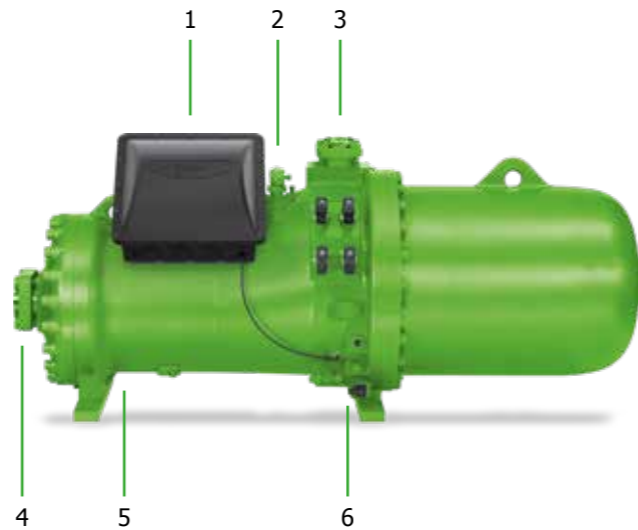
## SELECTION OF ACCESSORIES

### RECIPROCATING COMPRESSORS



1. IQ MODULE
2. Oil heater
3. Oil level control
4. VARISTEP
5. Additional fan
6. Start unloader (SU)
7. Refrigerant injection (on the backside)

### SCREW COMPRESSORS



1. SE-i1 (Intelligent protection module)
2. Adaptor for economiser
3. Discharge shut-off valve
4. Suction shut-off valve
5. Liquid injection (on the backside)
6. Oil level control

## SELECTION OF REFRIGERATION OILS

Reciprocating compressors	BSE32 <sup>2)</sup>	BSE55 <sup>2)</sup>	B5.2	BSE60K <sup>2)</sup>	BSE85K <sup>2)</sup>	BSG68K <sup>2)</sup>	SHC226 <sup>2)</sup>	KC68
<b>Semi-hermetic and open type</b>	HFC, R1234yf, HFO/HFC blends	HFC, HFO, HFO/HFC blends	R22		HFO <sup>1)</sup> , HFO/HFC blends <sup>1)</sup>	HC <sup>1)</sup>	R290, R1270	
<b>Semi-hermetic CO<sub>2</sub> subcritical</b>				R744/CO <sub>2</sub>	CO <sub>2</sub>	CO <sub>2</sub>		
<b>Semi-hermetic CO<sub>2</sub> transcritical</b>					CO <sub>2</sub>	CO <sub>2</sub>		
<b>Semi-hermetic R410A</b>		R410A						
<b>Open type ammonia</b>								R717/NH <sub>3</sub>

Screw compressors (Semi-hermetic and open drive)	BSE170 <sup>3)</sup>	BSE170L <sup>3)</sup>	BSE55 <sup>3)</sup>	B320SH	B150SH	B100 <sup>4)</sup>	KC68 <sup>4)</sup>	SHC226E <sup>4)</sup>
<b>CSH.5</b>	HFC, HFO, HFO/HFC blends			R22				
<b>CSH.6</b>	R134a, R513A, R450A, R1234yf, R1234ze(E)	R134a, R513A, R450A, R1234yf, R1234ze(E)						
<b>CSW</b>	R407C	R134a, R513A, R450A, R1234yf, R1234ze(E)	R134a, R513A, R450A, R1234yf, R1234ze(E)	R22				
<b>CSVH</b>	R134a, R513A, R450A, R1234yf, R1234ze(E)							
<b>CSVW</b>		R134a, R513A, R450A, R1234yf, R1234ze(E)						
<b>HS // OS</b>	HFC <sup>1)</sup> , HFO <sup>1)</sup> , HFO/HFC blends <sup>1)</sup>				R22	R22		
<b>OS.A</b>							R717/NH <sub>3</sub> , NH <sub>3</sub>	

Scroll compressors	BVC32	BSE35K	B5.2
<b>GSD/GSU/GED</b>	R410A, R454B, R452B, R32		
<b>ESH7 series</b>		HFC (R134a, R407C, R404A, R507A ...)	R22

<sup>1)</sup> For special applications, please contact BITZER

<sup>2)</sup> For application limits, please refer to the latest version of our technical information KT-500

<sup>3)</sup> For application limits, please refer to the latest version of our brochure SP-170

<sup>4)</sup> For application limits, please refer to the latest version of our applications manual SH-100 (HS) or applications manual SH-500 (OS)

For more original accessories, please scan the following QR codes:



**ePARTS SOFTWARE**



**BITZER SOFTWARE**



**SPARE PARTS AND OIL**