



THE HEART OF FRESHNESS

OPERATING INSTRUCTIONS

BETRIEBSANLEITUNG
INSTRUCTION DE SERVICE

SB-160-3

Semi-hermetic compact screw compressors with integrated frequency inverter (FI) Translation of the original Operating Instructions English.....	2
Halbhermetische Kompaktschraubenverdichter mit integriertem Frequenzumrichter (FU) Originalbetriebsanleitung Deutsch	25
Compresseurs à vis compacts hermétiques accessibles avec convertisseur de fréquences (CF) intégré Traduction des instructions de service d'origine Français.....	48

CSVH2
CSVW2
CSCVH2
CSCVW2

CSVH3
CSVW3
CSCVH3
CSCVW3

Installer
Monteur
Monteur



Table of contents

1 Introduction	4
1.1 Also observe the following technical documents	4
2 Safety	4
2.1 Authorized staff	4
2.2 Residual risks	4
2.3 Safety references	4
2.3.1 General safety references	4
3 Application ranges	5
3.1 Use of flammable refrigerants of the A2L safety group (e.g. R1234yf)	6
3.1.1 Compressor and refrigeration system requirements	6
3.1.2 General operation requirements	7
4 Mounting	7
4.1 Transporting the compressor	7
4.2 Installing the compressor	8
4.2.1 Arranging for removal clearances	9
4.2.2 Vibration dampers	9
4.3 Connecting the pipelines	9
4.3.1 Pipe connections	9
4.3.2 Shut-off valves	9
4.3.3 Pipelines	10
4.3.4 Pipes for FI cooling, ECO (economiser) and LI (liquid injection)	10
4.4 Oil connections	12
4.5 Capacity control, start unloading and V_i control	12
4.6 Connections and dimensional drawings	13
5 Electrical connection	17
5.1 High potential test (insulation strength test)	17
5.2 Safety and protection devices	18
5.2.1 Pressure switch (HP + LP)	18
5.2.2 Integrated sensors	18
5.2.3 Oil heater	18
5.2.4 Insulating the oil separator	18
6 Commissioning	18
6.1 Checking the strength pressure	18
6.2 Checking tightness	19
6.3 Evacuation	19
6.4 Charging refrigerant	19
6.5 Checking before compressor start	19
6.6 Compressor start	20
6.6.1 Lubrication/oil level monitoring	20
6.6.2 Set high pressure and low pressure limiters (HP + LP)	20
6.6.3 Setting the condenser pressure	20
6.6.4 Checking the operating data	20
6.6.5 Cycling rate between two compressor starts	20
6.6.6 Vibrations and frequencies	21

6.6.7 Particular notes on safe compressor and system operation	21
7 Operation.....	22
7.1 Regular tests.....	22
7.2 Moisture	22
8 Maintenance	22
8.1 Oil change.....	22
8.2 Replace oil filter	23
8.3 Integrated pressure relief valve	23
8.4 Integrated check valve.....	23
9 Decommissioning	24
9.1 Standstill	24
9.2 Dismounting the compressor	24
9.3 Disposing of the compressor	24

1 Introduction

These refrigeration compressors are intended for incorporation into refrigeration systems in accordance with the 2006/42/EC Machinery Directive. They may only be put into operation if they have been installed in the refrigeration systems according to these Mounting/Operating Instructions and if the overall system complies with the applicable legal provisions (applied standards: see declaration of incorporation).

The compressors have been built in accordance with state-of-the-art methods and current regulations. Particular importance was placed on user safety.

These Operating Instructions must be kept available near the refrigeration system during the whole lifetime of the compressor.

1.1 Also observe the following technical documents

ST-160: Control of compact screw compressors with integrated FI.

SW-100: Tightening torques for screw fixings.

SW-170: Inspection and replacement intervals for compact screw compressors.

2 Safety

2.1 Authorized staff

All work done on compressors and refrigeration systems may only be performed by qualified and authorized staff who have been trained and instructed accordingly. The qualification and expert knowledge of the personnel must correspond to the local regulations and guidelines.

2.2 Residual risks

The compressor may present unavoidable residual risks. That is why any person working on this device must carefully read these Operating Instructions!

The following regulations shall apply:

- relevant safety regulations and standards (e.g. EN 378, EN 60204 and EN 60335),
- generally accepted safety rules,
- EU directives,
- national regulations.

2.3 Safety references

are instructions intended to prevent hazards. Safety references must be stringently observed!



NOTICE

Safety reference to avoid situations which may result in damage to a device or its equipment.



CAUTION

Safety reference to avoid a potentially hazardous situation which may result in minor or moderate injury.



WARNING

Safety reference to avoid a potentially hazardous situation which could result in death or serious injury.



DANGER

Safety reference to avoid an imminently hazardous situation which may result in death or serious injury.

2.3.1 General safety references

State of delivery



CAUTION

The compressor is filled with a holding charge:
Excess pressure 0.2 .. 0.5 bar.
Risk of injury to skin and eyes.
Depressurize the compressor!
Wear safety goggles!



For work on the compressor once it has been commissioned



WARNING

The compressor is under pressure!
Serious injuries are possible.
Depressurize the compressor!
Wear safety goggles!



CAUTION

Surface temperatures of more than 60°C or below 0°C.
Risk of burns or frostbite.
Close off accessible areas and mark them.
Before performing any work on the compressor: switch it off and let it cool down.



When working on the electrical system and the frequency inverter (FI)

DANGER
 Life-threatening voltages inside the FI housing!
 Contact can lead to serious injuries or death.
 Never open the FI housing in operation!
 Switch off the main switch and secure it against being switched on again.
 Wait for at least 5 minutes until all capacitors have been discharged!
 Before switching on again, close the FI housing.

The main switch must be switched off during all operations in the FI housing. This is also true if the compressor has been stopped by the “Safe Torque Off” (STO) or “motor-off” function. In this case, the frequency inverter remains energized.

NOTICE
 Damage to or failure of the FI caused by excessive voltage!
 Do not apply any voltage to terminal strips X02 to X06 of the control board, not even for testing!
 Only protective extra low voltage (PELV) may be applied to the other terminals of the control board and the extension board.

The supply voltage (230 V or 115 V) of the peripheral devices is applied to the CN1, CN2, CN4, CN5, CN6 and CN9 terminals of the extension board.

Never apply voltage to the voltage outputs, not even for testing.

The following applies to all CSV...MY types

WARNING
 Strong magnetic field!
 Keep magnetic and magnetizable objects away from compressor!
 Persons with cardiac pacemakers, implanted heart defibrillators or metallic implants: maintain a clearance of at least 30 cm!

The CSV...MY types are equipped with a permanent magnet motor. Its magnets generate a not negligible magnetic field. These compressors are provided with these warning signs:



Fig. 1: Warning and prohibition signs on the compressor

3 Application ranges

Permitted refrigerants	R134a, R450A, R513A, R1234yf, R1234ze(E)
Oil charge	CSVH: BSE170 CSVW: BSE170L
Application limits	See brochure SP-160 and BITZER SOFTWARE from version 6.8.

Tab. 1: Application ranges of the CSV. compressors

WARNING
 Risk of bursting due to counterfeit refrigerants!
 Serious injuries are possible!
 Purchase refrigerants only from reputable manufacturers and reliable distributors!

Risk of air penetration during operation in the vacuum range

NOTICE
 Potential chemical reactions as well as increased condensing pressure and rise in discharge gas temperature.
 Avoid air penetration!

WARNING
 A critical shift of the refrigerant ignition limit is possible.
 Avoid air penetration!

3.1 Use of flammable refrigerants of the A2L safety group (e.g. R1234yf)

i Information
The information in this chapter about the use of refrigerants of the A2L safety group refer to European regulations and directives. In regions outside the EU, observe the local regulations.

This chapter describes and gives explanations on additional residual risks originating from the compressor when using refrigerants of the A2L safety group. This information helps the manufacturer of the system to perform the risk assessment for the system. This information may in no way replace the risk assessment for the system.

Design, maintenance and operation of refrigeration systems using refrigerants of the A2L safety group are subject to particular safety regulations.

When installed according to these Operating Instructions and in normal operation conditions without malfunctions, the compressors are free from ignition sources that could ignite the flammable refrigerants R1234yf and R1234ze(E). They are considered as technically tight. No ignition source assessment is available for other refrigerants of the A2L safety group.

i Information
When using a flammable refrigerant:
Affix the warning sign “Warning: flammable materials” (W021 according to ISO7010) well visibly to the compressor. An adhesive label showing this warning sign is enclosed with the Operating Instructions.

Refrigerant burning in the FI housing may only happen if several very rare failures occur at the same time. The probability of this event occurring is extremely low. Fluoride refrigerants burning in the FI housing may lead to the release of life-threatening amounts of toxic gases.

DANGER
Life-threatening exhaust gases and residues of combustion!
Sufficiently ventilate the machinery room for at least 2 hours.
Never inhale combustion products.
Use appropriate, acid-resistant gloves.

The refrigerant in the FI can only be ignited in the case of a serious electrical failures. This usually triggers the fuse of the power voltage supply line of the FI. If the gas detector has been triggered or when suspecting burnt refrigerant: Do not enter the place of installation and ventilate it for at least 2 hours. Never inhale com-

bustion products. The possibly toxic and corrosive exhaust air must be released into the atmosphere.

Do not enter the place of installation until the combustion gases have completely escaped. Then open the FI housing slightly so that the gases in it may escape:

- Use appropriate, acid-proof gloves.
- Do not touch the residues of combustion.
- Carefully remove the screws of the FI housing.
- Pull the FI housing cover a bit forward in order to generate a gap of approximately 1 cm.
- Leave the place of installation immediately and ventilate for at least 3 hours more.

Do not touch moist residues, but let them dry, because they may contain dissolved toxic substances. Have trained staff clean the parts concerned or, if the parts are corroded, dispose of them properly.

3.1.1 Compressor and refrigeration system requirements

The specifications are established in standards (e.g. EN378). In view of the high requirements and product liability, it is generally recommended to carry out the risk assessment in cooperation with a notified body. Depending on the design and the refrigerant charge, an assessment according to EU Framework Directives 2014/34/EU and 1999/92/EC (ATEX 137) may be necessary.



DANGER

Fire hazard in the event of refrigerant leakage and in the presence of an ignition source!
Avoid open fire and ignition sources in the engine room and in the hazardous zone!

- Pay attention to the ignition point in air of the refrigerant used, see also EN378-1.
- Vent engine room according to EN378 or install an extraction device.
- To open the pipelines, use only pipe cutters and no open flame!
- Install components from which refrigerant may leak (e.g. low and high pressure limiter or low and high pressure cut-out) only outside the switch cabinet!

If the following safety regulations and adaptations are observed, the standard compressors can be run with refrigerants mentioned above of the A2L safety group.

- Observe the max. refrigerant charge according to the installation place and the installation zone! See EN378-1 and local regulations.
- No operation in the vacuum range! Install safety devices for protection against insufficient and excessive pressure and make sure that they are designed in accordance with the requirements of the safety regulations (e.g. EN378-2).
- Avoid air penetration in the system – also during and after maintenance work!

3.1.2 General operation requirements

Operation of the system and personal protection are usually subject to national regulations on product safety, operating reliability and accident prevention. To this end, separate agreements between the contractor and the end user must be made. The provision of the necessary risk assessment for work environment prior to installation and operation of the system is the responsibility of the end user. To this end, cooperation with a notified body is recommended.

- To open the pipelines, use only pipe cutters and no open flame.

4 Mounting

4.1 Transporting the compressor

Either transport the compressor screwed onto the pallet or use eyebolts to lift it.



DANGER

Suspended load!
Do not step under the machine!



NOTICE

In the case of a strong shock or pressure, the FI housing may break.
Treat the FI housing with care.

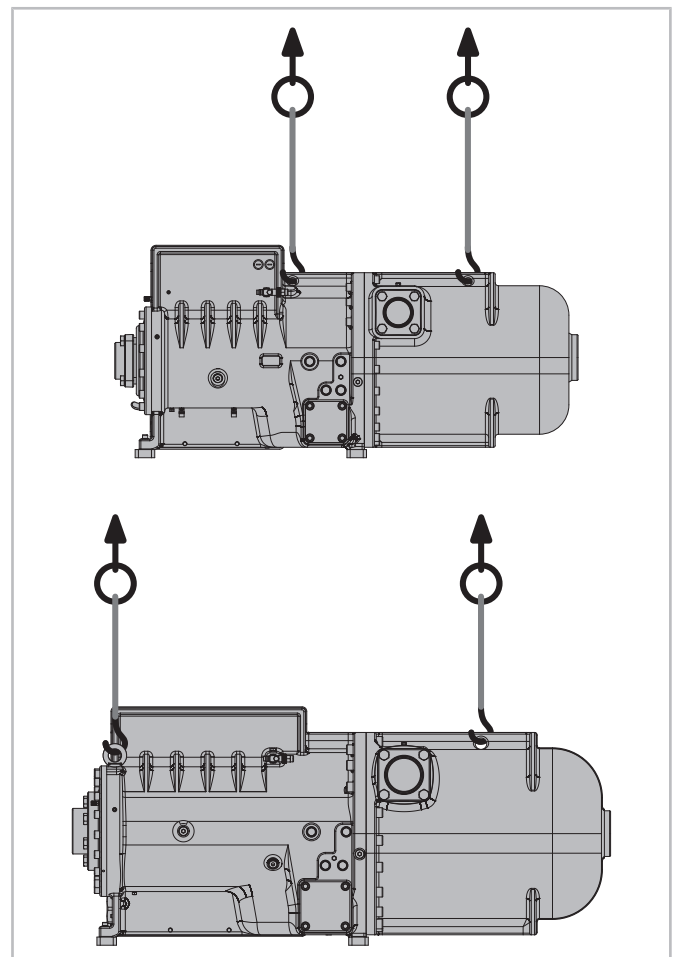


Fig. 2: Lifting the CSV. compressor; above: CSV.2; below: CSV.3

Weights and centres of gravity

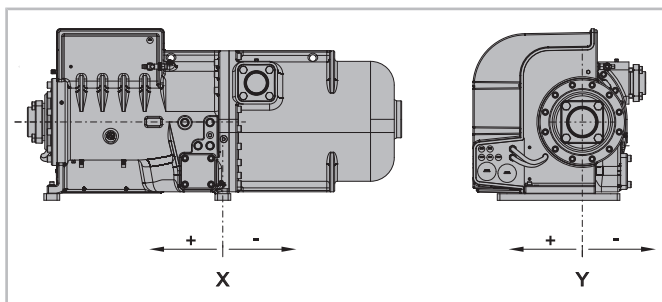


Fig. 3: Reference points for centres of gravity

- ①: without suction and discharge gas shut-off valve
- ②: with suction gas shut-off valve
- ③: with suction and discharge gas shut-off valve

Com-pressor	Weight in kg			Deviation from the centre of gravity in mm		
	①	②	③	X ①	X ②	Y
CSV.24	740	760	770	+92	+150	+30
CSV.25	750	770	780	+92	+150	+30
CSV.26	760	780	790	+92	+150	+30
CSV.37	1140	1190	1210	+150	+165	+22
CSV.38	1150	1200	1220	+150	+165	+22

Tab. 2: Weights and centres of gravity of the CSV. compressors

4.2 Installing the compressor

Mount the compressor horizontally, preferably directly on a base frame, by no means on shell-and-tube heat exchangers.

Do not install it above 2,000 meters above sea level and under extreme conditions (e.g. aggressive atmosphere or low outside temperatures).

Conditions for the frequency inverter (FI), see ST-160, chapter Technical data.

Marine application

Mount the compressor in parallel to the longitudinal axis of the ship and

- either horizontally to the water level
- or inclined by 10° in the longitudinal direction of the compressor, with the motor downwards
Requirement: During operation, the oil level must remain in the range of the upper sight glass. This is indicated in the following figure as a large grey line.

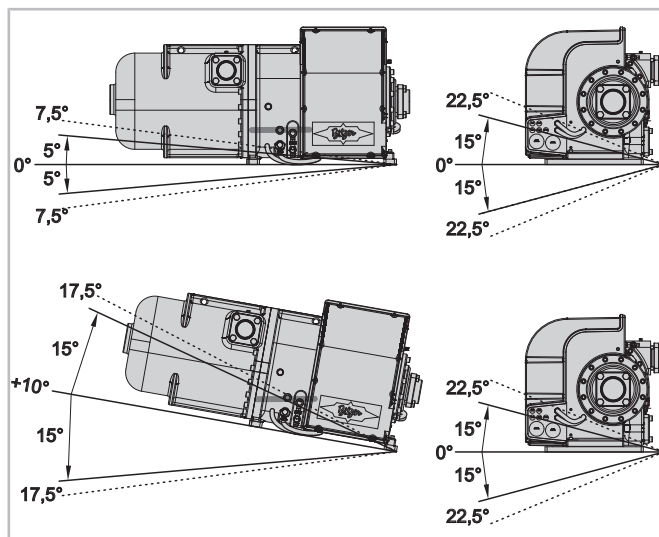


Fig. 4: Permitted inclination angles of the ship using the example of the CSVH2

Installation	Inclination in the longitudinal direction		Inclination in the transversal direction	
	static	dynamic	static	dynamic
horizontal	$\pm 5^\circ$	$\pm 7.5^\circ$	$\pm 15^\circ$	$\pm 22.5^\circ$
inclined by $+10^\circ$	$\pm 15^\circ$	$\pm 17.5^\circ$	$\pm 15^\circ$	$\pm 22.5^\circ$

Tab. 3: Maximum inclination angles of the ship

4.2.1 Arranging for removal clearances

When integrating the compressor into the system, provide for sufficiently large removal clearances:

Space requirement of the FI housing cover

The dimensions are marked with an X, see chapter Connections and dimensional drawings, page 13. The cover fits tight, therefore, additionally arrange for a spacious working area.

Space requirement of the oil filter

At least 300 mm before the rectangular flange, connection position 18, see chapter Connections and dimensional drawings, page 13.

4.2.2 Vibration dampers

The compressors may be mounted solidly. To reduce structure-borne noise however, it is recommended using specially tuned vibration dampers (option).

Mounting vibration dampers

See the following figure. Tighten the screws until first deformations signs of the upper rubber disc are visible.

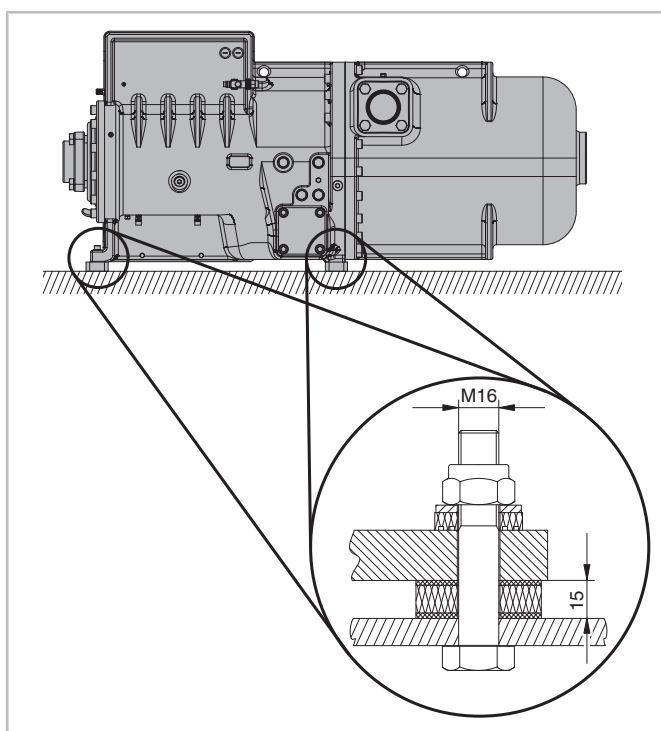


Fig. 5: Vibration dampers

4.3 Connecting the pipelines



WARNING

The compressor is under pressure!
Serious injuries are possible.



Depressurize the compressor!
Wear safety goggles!



NOTICE

Potential chemical reactions due to air penetration!

Proceed swiftly and keep shut-off valves closed until evacuation.

4.3.1 Pipe connections

The pipe connections are suitable for pipes in all common dimensions in millimetres and inches. Brazed connections have stepped diameters. The pipe will immerse more or less depending on its dimensions. If necessary, the bushing may even be cut at the end with the largest diameter.

4.3.2 Shut-off valves



CAUTION

Depending on the operation mode, the shut-off valves may become very cold or very hot.



Risk of burning or frostbite!

Wear suitable protective equipment!



NOTICE

Do not overheat the shut-off valves!

Cool the valve body and the brazing adapter during and after the brazing operation.

Maximum brazing temperature 700°C!

For welding, dismantle the pipe connections and the bushes.

When turning or mounting shut-off valves:



NOTICE

Risk of damage to the compressor.

Tighten screws crosswise in at least 2 steps to the prescribed tightening torque.

Test tightness before commissioning!

When retrofitting the ECO shut-off valve:



Information

To increase the corrosion protection, it is recommended to coat the surface of the ECO shut-off valve.

4.3.3 Pipelines

Use only pipelines and system components which are

- clean and dry inside (free from slag, swarf, rust and phosphate coatings) and
- which are delivered with an air-tight seal.

Depending on the compressor versions, they are supplied with blanking plates on the pipe connections or shut-off valves. These must be removed before performing the strength pressure and tightness tests and commissioning the system.

i Information
The blanking plates are only designed to serve as a transport protection. They are not suitable as a separation between different system sections during the strength pressure test.

Mount pipelines in such a way that the compressor is protected from flooding with oil or liquid refrigerant during standstill. Follow the notes given in SH-170.

Cleaning filters and filter driers

! NOTICE
For systems with rather long pipelines or for brazing operations without protective gas: Install the suction-side cleaning filter (mesh size < 25 µm).

A suction-side cleaning filter must satisfy the following criteria:

- Mesh size 25 µm
- Filter with perforated metal tubes around the inside and outside diameter
- Appropriate for bi-directional operation

! NOTICE
Risk of compressor damage!
Generously sized filter driers should be used to ensure a high degree of dehydration and to maintain the chemical stability of the circuit. Make sure to choose a suitable quality (molecular sieves with specially adapted pore sizes).

Additional connections for evacuation

For an optimal evacuation capacity, it is recommended to install generously-sized, lockable additional connections on the discharge and suction sides. Sections locked by check valves must have separate connections.

Observe the following for all connections retrofitted on the compressor

! NOTICE
Risk of refrigerant loss!
Check the thread.
Carefully screw the adapter in and tighten it to the prescribed tightening torque.
Test tightness before commissioning!

4.3.4 Pipes for FI cooling, ECO (economiser) and LI (liquid injection)

Mounting of fine filters

These connections lead directly into compressor areas with sensitive mechanics. Therefore a filter must be mounted into each pipe if the system is not manufactured in serial production.

Fixing the pipes sufficiently

An incorrect installation may lead to a very strong vibration of the pipework.

! NOTICE
Risk of damages caused by vibrations!
Securely fasten each pipe.
Check the vibration behaviour during operation!

Fasten every pipe to the compressor by means of a refrigeration clamp. To do that, use the mounting holes on the compressor, see connections on the following pages:

14a: ECO line

14b: Liquid line for FI cooling (standard extent of delivery) and for optional LI connection

! NOTICE
Risk of refrigerant loss!
Check the thread.
Screw in the adapter carefully with the required tightening torque.
Test tightness before commissioning!

If the respective connecting valve is mounted at a later time or is removed when mounting the pipe:

! NOTICE
Risk of refrigerant loss!
Check the threads.
Screw in the adapter carefully with the required tightening torque.
Test tightness before commissioning!

Connection for the FI cooling

Connecting this pipe is absolutely necessary. It supplies the cooling plate of the frequency inverter with liquid refrigerant. Route the pipe downwards from a horizontal pipeline section in order to ensure a bubble-free liquid supply. See following figure, light-grey pipeline. Additionally install a sight glass and if needed a fine filter into the line.

Connection for liquid injection (LI)

CSVH compressors may be delivered with a LI connection as an option. The LI solenoid valve is then wired and is controlled by means of the FC. The tube provided with a deviation from the compressor into the FI cooling is mounted. See following figure, dark-grey pipeline. Retrofitting, see Maintenance instructions SW-160. For further information on the operation with liquid injection and system design, please refer to SH-170.

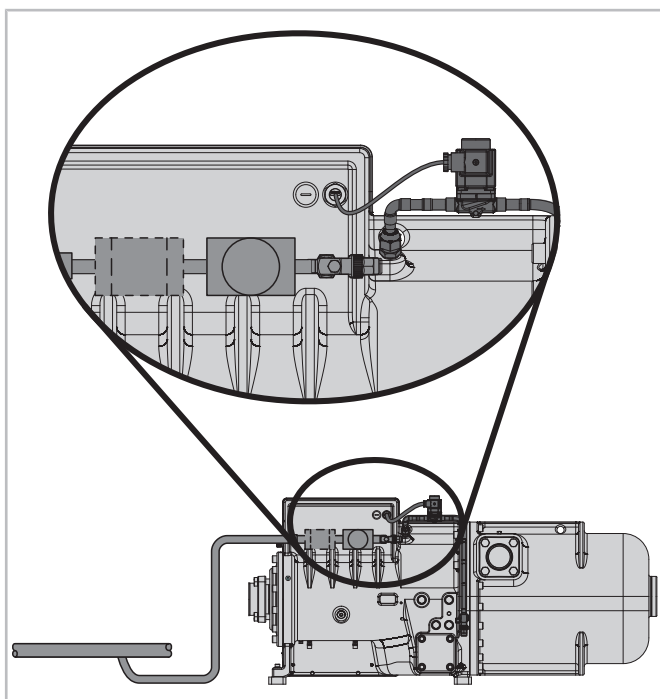


Fig. 6:

Light grey: Pipe layout of the FI cooling (liquid refrigerant) with sight glass and filter (filter depending on the system type)

Dark grey: Optional LI connection on CSVH

Economiser (ECO)

The ECO is available as an option. It is delivered as a kit (valve, connecting piece, gaskets, tubes and pulsation muffler, pipe clamp and mounting sketch).



NOTICE

Risk of refrigerant loss!

Check the threads.

Screw in the adapter carefully with the required tightening torque.

Test tightness before commissioning!

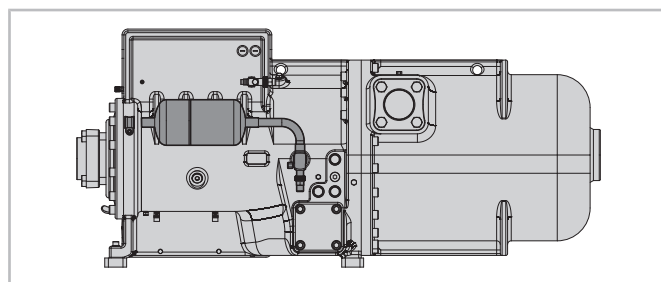


Fig. 7: Optional ECO mounting kit

Mount ECO only after the compressor has been installed. Make sure to guide the tube vertically from above to the ECO valve. See the following figure. This avoids oil migration and damage to components due to hydraulic pressure peaks. Control the supplied refrigerant mass flow with the help of a solenoid valve directly at the beginning of the ECO pipe. Trigger the ECO solenoid valve via the system controller. For further information on the ECO pipe layout, see SH-170.

4.4 Oil connections

Observe the following for all retrofitted connections:

NOTICE
 Risk of refrigerant loss!
 Check the thread.
 Carefully screw the adapter in and tighten it to the prescribed tightening torque.
 Test tightness before commissioning!

Pressure gauge connection on the oil valve for maintenance

The pressure gauge connection on the oil valve for maintenance is delivered with a screwing cap (7/16-20 UNF). In case of any modification, proceed very carefully.

CSVH: Connecting an external oil cooler

External oil cooling allows operation under high thermal load. A special adapter kit is necessary to connect the external oil cooler. It closes the internal oil lines and ensures an effective oil flow into the oil cooler. See the following figure for the mounting.

For further notes on connecting an external oil cooler, see manual SH-170.

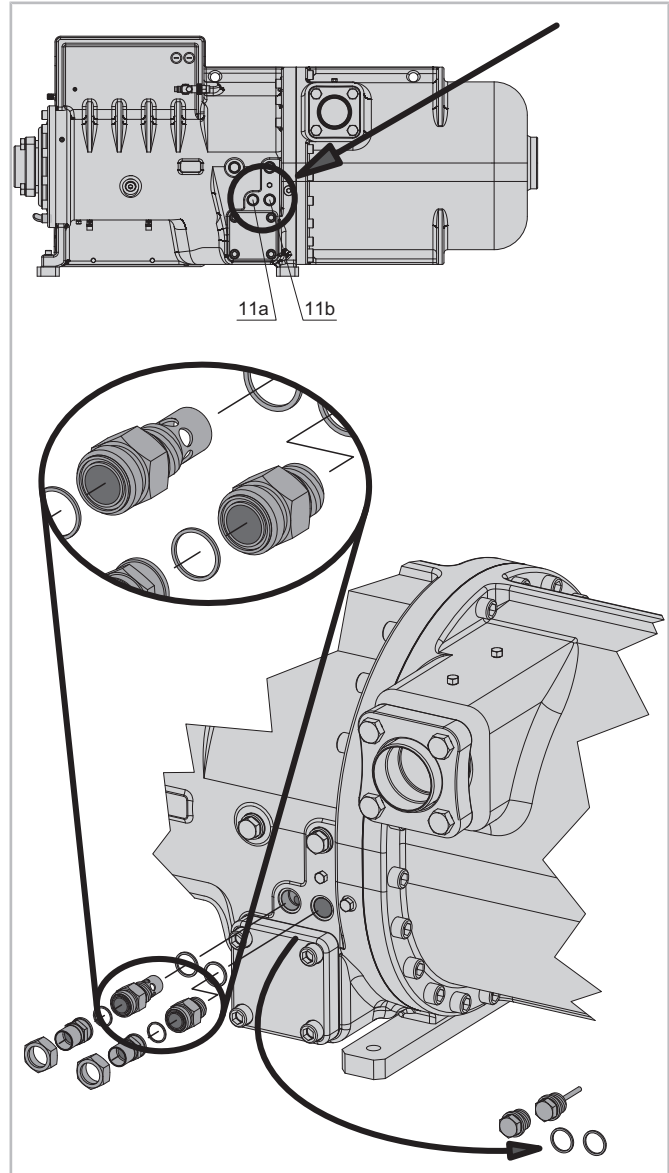


Fig. 8: Special adapter kit for connecting the external oil cooler for CSVH2 and CSVH3

CSVW: Connection for oil and gas return

Connection see chapter Connections and dimensional drawings, page 13, position 17.

4.5 Capacity control, start unloading and V_1 control

These functions are executed automatically by the FI control.

4.6 Connections and dimensional drawings

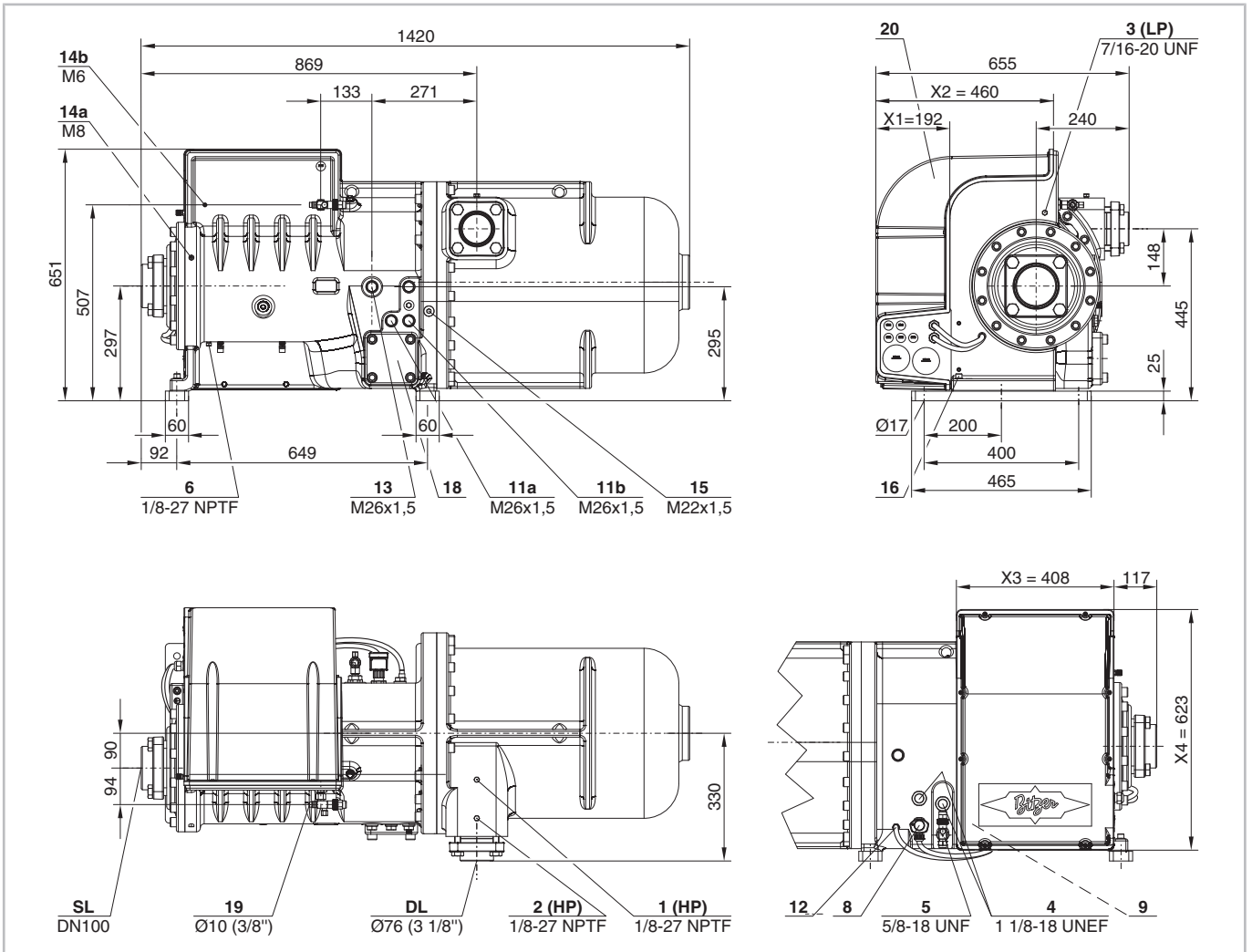


Fig. 9: CSVH2 dimensional drawing, optional alternative suction gas connection: DN125

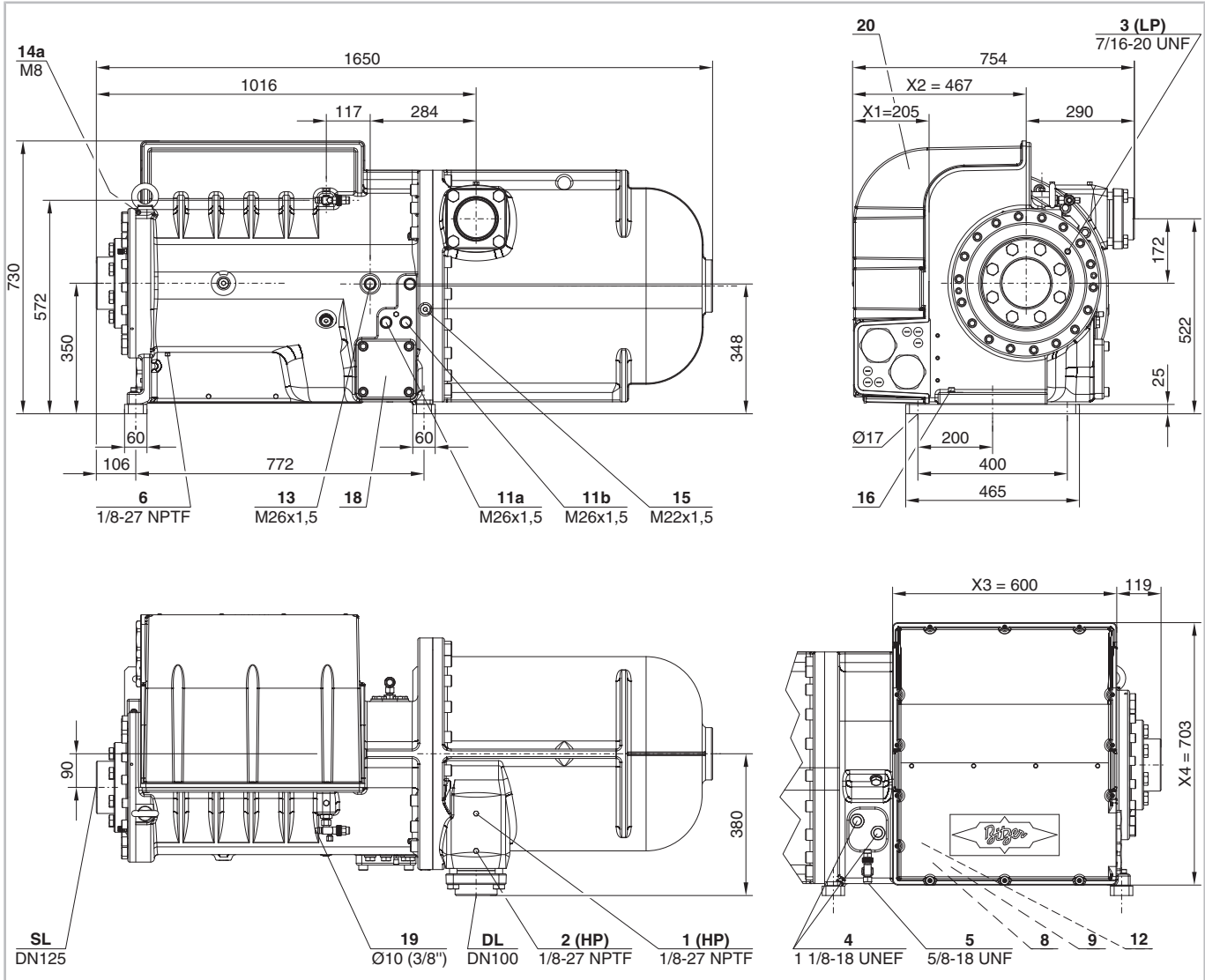


Fig. 10: CSVH3 dimensional drawing

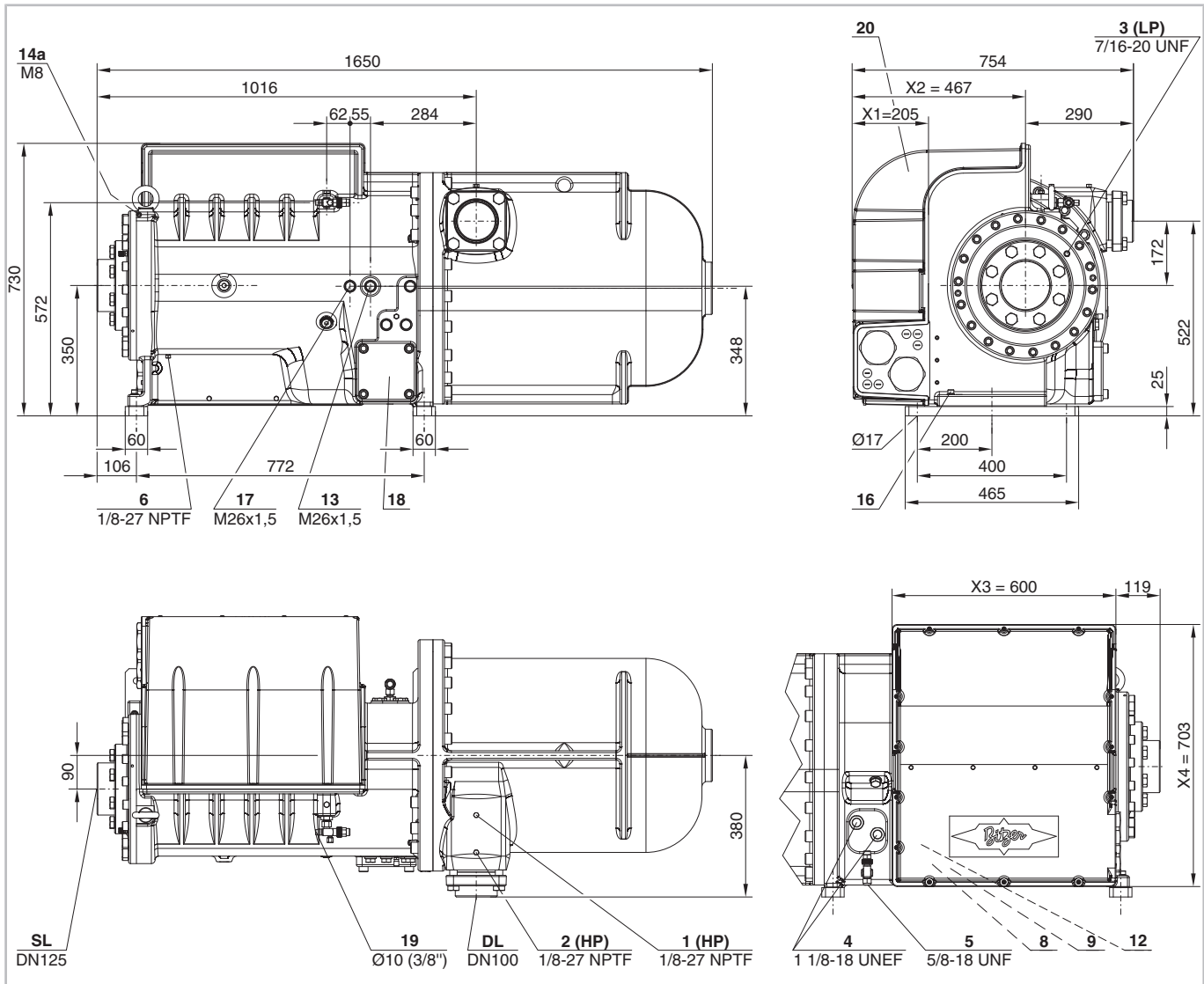


Fig. 12: CSWV3 dimensional drawing

Connection positions	
1	High pressure connection (HP)
2	Additional high pressure connection (HP)
3	Low pressure connection (LP)
4	Oil sight glass
5	Oil valve for maintenance (standard) / connection for oil equalisation (parallel operation)
6	Oil drain plug (motor housing)
8	Connection for opto-electronic oil level switch (OLC-D1-S), integrated in FI control
9	Oil heater with heater sleeve (standard), integrated in FI control
11	Connections for external oil cooler (optional adapter)
11a	Outlet to the oil cooler

Connection positions	
11b	Inlet/return from the oil cooler
12	Oil temperature sensor, integrated in FI control
13	Connection for Economiser (ECO, shut-off valve with pulsation muffler, optional)
14a	Threaded bore for pipe fixture for ECO line
14b	Threaded bore for pipe fixture for FI cooling
15	Connection for liquid injection (LI, optional mounting kit)
16	Earth screw for housing
17	Connection for oil and gas return (for systems with flooded evaporator, optional adapter)
18	Oil filter (maintenance connection)

Connection positions	
19	FI cooling (liquid refrigerant)
20	Frequency inverter (FI)
SL	Suction gas line
DL	Discharge gas line

Tab. 4: Connection positions

Dimensions (if specified) may have tolerances according to EN ISO 13920-B.

The legend applies to all CSV compressors and contains connection positions that do not exist in every compressor series.

5 Electrical connection



DANGER

Life-threatening voltages inside the FI housing!
Contact can lead to serious injuries or death.
Never open the FI housing in operation!
Switch off the main switch and secure it against being switched on again.
Wait for at least 5 minutes until all capacitors have been discharged!
Before switching on again, close the FI housing.

The frequency inverter-controlled drive has been designed in accordance with the requirements of the EU Directive for Electromagnetic Compatibility 2014/30/EU. The electrical equipment complies with the EU Low Voltage Directive 2014/35/EU.

Connections for voltage supply and FI control, see ST-160. A simple electrical connection diagram can be found on the inner side of the FI housing cover.

Mounting the FI housing cover.

The FI housing cover fits very tight. Therefore when mounting:

- Press the peripheral groove of the cover into the intended position.
- Insert the screws and tighten them a little. Insert the screw on the bottom right last. If needed, lift the edge of the housing cover.
- Tighten the screws cross-wise to the prescribed torque.

Additionally earthing the compressor housing



DANGER

High electrostatic discharge voltage possible.
Risk of electric shock!
Also earth the compressor housing!

Connection, see position 16 in the dimensional drawings.

5.1 High potential test (insulation strength test)

The compressor and the FI were already submitted to a high potential test in the factory according to EN12693 or according to UL984 or UL60335-2-34 for the UL model.



NOTICE

Risk of damage to the insulation and motor failure!
Possible destruction of the FI electronics!
Never repeat the high potential test in the same way!

A renewed high potential test may only be carried out with a maximum direct current voltage of 1,500 V.

Preparatory work and the test shall only be carried out by specially trained and qualified personnel!



DANGER

Life-threatening voltages inside the FI housing!
Contact can lead to serious injuries or death.
Never open the FI housing in operation!
Switch off the main switch and secure it against being switched on again.
Wait for at least 5 minutes until all capacitors have been discharged!
Before switching on again, close the FI housing.

Test the compressor with reduced direct current voltage:

- Remove the FI housing cover.
- Connect all 3 motor conductor rails (at the top of the FI) with all 3 terminals at the FI input (L1, L2, L3).
- Carry out the test.
- Remove the test cables and close the FI housing cover.

5.2 Safety and protection devices

5.2.1 Pressure switch (HP + LP)

A high pressure limiter at the connection position 1 (HP) is necessary in order to secure the compressor on top of monitoring the application limits of the FI control so that any unacceptable operating conditions can be avoided, see Technical Information ST-160, chapter Pressure switch (F5 and F6).

A low pressure limiter at the connection position 3 (LP) is not necessary, depending on local regulations.

Connection positions on the compressor see chapter Connections and dimensional drawings, page 13.

Never connect the pressure switch to the lockable maintenance connection of the shut-off valve! Observe the local regulations.

5.2.2 Integrated sensors

The following sensors are integrated into the FI control:

- Low pressure transmitter
- High pressure transmitter
- Motor temperature (NTC)
- Oil temperature sensor (NTC)
- Opto-electronic oil level switch for the minimum oil level (OLC-D1-S)
- Multiple temperature sensors for FI monitoring

The FI control also monitors:

- Cycling rate of the compressor
- FI voltage supply

The control logic analyses the signals from the sensors and reports critical operating conditions to the system controller. It automatically adapts the V_i control to the particular operating condition and activates the oil heater. However, if a critical operating condition is reached, the FI control switches the compressor automatically off. For further information, see Technical Information ST-160, chapter Protective functions.

5.2.3 Oil heater

The oil heater is placed in the bottom left edge of the FI housing. It is mounted, wired and integrated ex-factory into the FI control. If needed, the control activates or deactivates the oil heater. No further compressor heating is needed.

5.2.4 Insulating the oil separator

Operating at low ambient temperatures or with high temperatures on the high-pressure side during standstill (e.g. for heat pumps) requires additional insulation of the oil separator.

6 Commissioning

The compressor has been carefully dried, checked for tightness and filled with a holding charge (N_2) before leaving the factory.



DANGER

Risk of explosion!

Never pressurize the compressor with oxygen (O_2) or other industrial gases!



WARNING

Risk of bursting!

A critical shift of the refrigerant ignition limit is possible in case of excess pressure.

Do not add a refrigerant (e.g. as a leak indicator) to the test gas (N_2 or air).

Environmental pollution in case of leakage and when deflating!



NOTICE

Risk of oil oxidation!

Check the entire system for strength pressure and tightness, preferably using dried nitrogen (N_2).

When using dried air: Remove the compressor from the circuit – make sure to keep the shut-off valves closed.

6.1 Checking the strength pressure

Check the refrigerant circuit (assembly) according to EN378-2 (or other applicable equivalent safety standards). The compressor had been already tested in the factory for strength pressure. A tightness test is therefore sufficient, see chapter Checking tightness, page 19. If you still wish to perform a strength pressure test for the entire assembly:



DANGER

Risk of bursting due to excessive pressure!
The pressure applied during the test must never exceed the maximum permitted values!
Test pressure: 1.1-fold of the maximum allowable pressure (see name plate). Make a distinction between the high-pressure and low-pressure sides!

6.2 Checking tightness

Check the refrigerant circuit (assembly) for tightness, as a whole or in parts, according to EN378-2 (or other applicable equivalent safety standards). For this, create an excess pressure, preferably using dried nitrogen.

Observe test pressures and safety reference, see chapter Checking the strength pressure, page 18.

6.3 Evacuation

- Open all shut-off valves and solenoid valves.
- Use a vacuum pump to evacuate the entire system, including the compressor, on the suction side and the high pressure side.

With the vacuum pump shut off, a "standing vacuum" lower than 1.5 mbar must be achieved.

- Repeat the operation several times if necessary.



NOTICE

Risk of damage to the motor and compressor!
Do not start the compressor while it is in a vacuum!
Do not apply any voltage, not even for testing!

6.4 Charging refrigerant

Use only permitted refrigerants, see Application ranges.



DANGER

Risk of bursting of components and pipelines due to hydraulic excess pressure while feeding liquid.
Serious injuries are possible.
Avoid overcharging the system with refrigerant under all circumstances!



WARNING

Risk of bursting due to counterfeit refrigerants!
Serious injuries are possible!
Purchase refrigerants only from reputable manufacturers and reliable distributors!



NOTICE

Risk of wet operation during liquid feeding!
Measure out extremely precise quantities!
Maintain the discharge gas temperature at least 20 K above the condensing temperature.

- Before charging with refrigerant:
- Switch the main switch (Q1) on. Ensure that the compressor is not switched on.
- The FI is now energized, the oil heater is active.
- Check the oil level in the compressor.
- Charge the condenser or receiver directly with liquid refrigerant; on systems with flooded evaporator, maybe also the evaporator.
- Blends must be taken out of the charging cylinder as a solid liquid.
- After commissioning, it may be necessary to add refrigerant: While the compressor is running, charge with refrigerant on the suction side, preferably at the evaporator inlet. Blends must be taken out of the charging cylinder as a solid liquid.

6.5 Checking before compressor start

- Oil level (between the middle of the lower sight glass and the upper area of the upper sight glass)
- Setting and functions of safety and protection devices
- Setpoints of the time relays
- Cut-out pressure values of the high pressure and low pressure limiters
- Check if the shut-off valves are opened.

In case of compressor replacement

Oil is already in the circuit. It may therefore be necessary to drain off some oil.



NOTICE

In case of larger oil quantities in the refrigerant circuit: Risk of liquid slugging when the compressor starts!
Maintain the oil level within the marked sight glass area!

When a reciprocating compressor is replaced:

- Completely remove the oil from the system. The new oil is not only more viscous. It is an ester oil with different chemical and physical properties.



NOTICE

Risk of damage to the compressor!
The new oil has a great cleaning effect in the refrigerant circuit.
On the suction side, mount a cleaning filter suitable for bidirectional operation!
Mesh size: 25 µm

- Mount a filter for bidirectional operation with perforated metal tubes around the inside and outside diameter of the filter element.
- After several operating hours: Change the oil filters and cleaning filters.
- If needed, repeat the operation, see chapter Oil change, page 22.

6.6 Compressor start

For a detailed description, see ST-160, chapter Quick commissioning.

Rotation direction test

The CSV. screw compressors start automatically in the prescribed rotation direction. The common rotation direction test for screw compressors is not necessary.

10 s time delay

When switching the compressor on, the solenoid valve for the FI cooling opens first. The compressor starts with a time delay of 10 seconds.

6.6.1 Lubrication/oil level monitoring

- Check the lubrication of the compressor directly after the compressor start.
The oil level must be visible in the zone of both sight glasses.
- Check the oil level repeatedly within the first hours of operation!

During the start phase, oil foam may form but its level should decrease at stable operating conditions. Otherwise high proportions of liquid in the suction gas are suspected.



NOTICE

Risk of wet operation!
Maintain the discharge gas temperature well above the condensing temperature: at least 20 K.



NOTICE

Risk of compressor failure due to liquid slugging!
Before adding larger quantities of oil: check the oil return!

6.6.2 Set high pressure and low pressure limiters (HP + LP)

Check exactly the cut-in and cut-out pressure values according to the operating limits by testing them.

6.6.3 Setting the condenser pressure

- Set the condenser pressure so that the minimum pressure difference is reached within 20 s after the compressor start.
- Avoid quick pressure reduction via finely graduated pressure control.

For application limits, see brochure SP-160 and BITZER SOFTWARE from version 6.8.

6.6.4 Checking the operating data

- Evaporation temperature
- Suction gas temperature
- Condensing temperature
- Discharge gas temperature
 - min. 20 K above condensing temperature
 - max. 120°C on the outside of the discharge gas line
- Oil temperature directly under the oil sight glass
- Cycling rate
- Current values
- Voltage
- Prepare data protocol.

For automatic data log and readout of these data, see ST-160.

For application limits, see brochure SP-160 and BITZER SOFTWARE from version 6.8.

6.6.5 Cycling rate between two compressor starts

The FI control forces a time lag of at least 5 minutes between two compressor starts. Also respect this time lag during test runs and maintenance work!



NOTICE

Risk of motor failure!
The specified requirements must be ensured by the control logic!

- Desirable minimum running time: 5 minutes!
- Reduce the cycling rate after commissioning as much as possible. See ST-160.

6.6.6 Vibrations and frequencies

Check the system over the complete speed range to detect any abnormal vibrations

The pulse frequency of the gas column in the discharge gas line and the excitation frequency on the compressor feet and on the pipes vary depending on the compressor speed. This may lead to resonance effects in the pipes and in other system components.

Check the complete system very carefully to detect any abnormal vibration; check particularly pipelines and capillary tubes. If strong vibrations occur, take mechanical measures: For example, mount pipe clips or insert vibration dampers.



NOTICE

Risk of burst pipes and leakages on the compressor and system components!
Avoid strong vibrations!

During operation as well, repeatedly check for any abnormal vibration.

Skip speeds that still lead to resonances in the programming of the frequency inverter. See ST-160.

6.6.7 Particular notes on safe compressor and system operation

Analysis show that compressor failures are most often due to an inadmissible operating mode. This applies especially to damage resulting from lack of lubrication:

- Function of the expansion valve – observe the manufacturer's notes!
 - Position the temperature sensor correctly at the suction gas line and fasten it.
 - When using a liquid suction line heat exchanger: Position the sensor as usual after the evaporator – in no case after the heat exchanger.
 - Ensure sufficiently high suction gas superheat, while also taking into account the minimum discharge gas temperatures.

- Stable operating mode under all operating and load conditions (also part-load, summer/winter operation).
 - Solid liquid at the expansion valve inlet, during ECO operation already before entering the liquid subcooler.
 - Avoid refrigerant migration from the high pressure side to the low pressure side or into the compressor during long shut-off periods!
 - The compressor must always be supplied with voltage even during a standstill so that the oil heater remains in operation. This is valid for all applications.
- When installing the system in zones where the temperatures are low, it may be necessary to insulate the oil separator. At compressor start, the oil temperature, measured under the oil sight glass, should be 15 .. 20 K above the ambient temperature.
- Automatic sequence change for systems with several refrigerating circuits (approximately every 2 hours).
 - Mount an additional check valve in the discharge gas line if no temperature and pressure compensation is reached even after long standstill times.
 - If needed, mount a time and pressure-dependant controlled pump down system or liquid separators on the suction side – particularly for high refrigerant charges and/or when the evaporator may become hotter than the suction gas line or the compressor.
 - For further information about pipe layout, see manual SH-170.



Information

In the case of refrigerants with low isentropic exponent (e.g. R134a), a heat exchanger between the suction gas line and the liquid line may have a positive effect on the system's operating mode and coefficient of performance.
Arrange the temperature sensor of the expansion valve as described above.

7 Operation

7.1 Regular tests

Check the system at regular intervals according to national regulations. Check the following points:

- Operating data, see chapter Compressor start, page 20.
- Read out the data logged by the FI control.
- Oil supply, see chapter Compressor start, page 20.
- Safety and protection devices and all components for compressor monitoring (check valves, discharge gas temperature sensors, differential oil pressure limiters, pressure limiters, etc.).
- Tight seat of electrical cable connections and screwed joints.
- Screw tightening torques (see SW-100).
- Refrigerant charge.
- Tightness.
- Check the system over the complete speed range again to detect any abnormal vibration.
- Prepare data protocol.

7.2 Moisture

For applications with high humidity, low suction gas superheat and/or insufficient sealing of the cable bushings, moisture may form in the FI housing. In this case, it is possible to drain the moisture by removing the drain plugs.

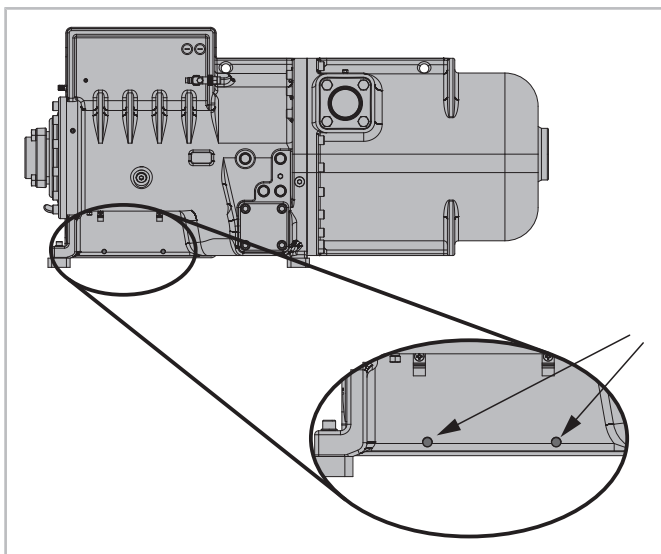


Fig. 13: Drain plugs for moisture on the FI housing

When the drain plugs are removed, the enclosure class of the FI housing changes from IP54 to IP22.

8 Maintenance

Observe the supporting documentation of the new components!

8.1 Oil change



NOTICE

Damage to the compressor caused by degraded ester oil.

Moisture is chemically bound to the ester oil and cannot be removed by evacuation.

Proceed with extreme care:

Any penetration of air into the system and oil drum must be avoided under all circumstances.

Use only oil drums in their original unopened state!

The listed oils, see chapter application ranges, page 13, are characterised by their high degree of stability. An oil change is generally not required when appropriate suction-side fine filters are mounted or used. In case of compressor or motor damage, it is recommended performing an acid test. If necessary, carry out cleaning measures: Mount a (bi-directional) acid-retaining suction line gas filter and change the oil. Purge the system on the highest point of the discharge side and collect the refrigerant in a recycling cylinder. If necessary, change filter and oil again after several operating hours and purge the system.

Changing the oil

If oil change is needed, it is recommended replacing the oil filter as well, see below.



WARNING

The compressor is under pressure!

Serious injuries are possible.

Depressurize the compressor!

Wear safety goggles!



- Drain the oil from the compressor and the motor housing. Oil draining positions on the compressor are connection positions 5 and 6, see chapter Connections and dimensional drawings, page 13.
- Charge with new oil.
- Dispose of waste oil properly.

8.2 Replace oil filter

- Prepare a new oil filter.

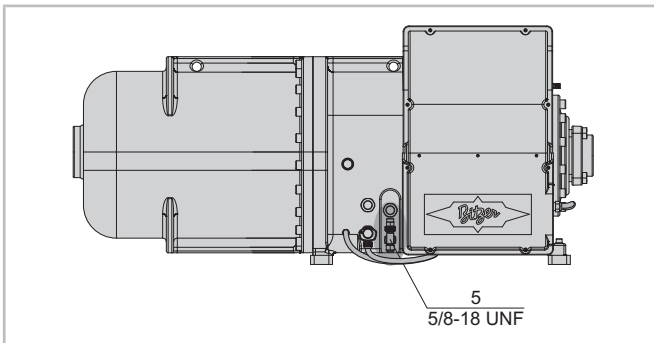


Fig. 14: Drain the oil at the oil valve for maintenance (5)

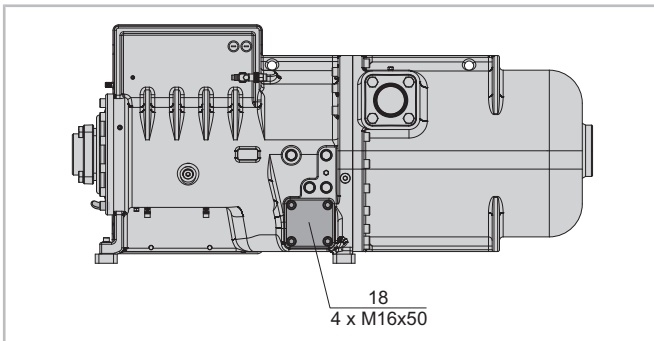


Fig. 15: Oil filter flange (18)

- Place a flat pan under the oil valve for maintenance (5) and the oil filter flange (18).
- Drain oil and dispose of it properly.
- Open the rectangular flange of the oil filter and remove it by pulling it forward.

The integrated oil filter is mounted on the rear side of the flange.

- Unscrew the oil filter from the flange.
- Mount a new oil filter on the flange.
- Replace the O-ring on the hole at the top of the flange.
- Insert the flange with the new oil filter and the new flat gasket. Orient the hole with the O-ring upward.
Screws: M16x50

NOTICE

Risk of damage to the compressor.
Tighten screws and nuts only to the prescribed tightening torque and, if possible, crosswise in at least 2 steps.

- Charge with new oil.
- Test tightness before commissioning.

8.3 Integrated pressure relief valve

The valve is maintenance-free. Its response pressure difference is 21 bar.

However, after repeated venting, it may leak permanently because of abnormal operating conditions. The consequences are reduced performance and a higher discharge gas temperature.

8.4 Integrated check valve

After being shut off, the compressor runs in reverse direction for a short time (approx. 5 s until pressure compensation in the oil separator takes place). This period will be longer if the check valve is damaged or clogged. The valve needs to be replaced then.

Replacing the integrated check valve



WARNING

The compressor is under pressure!
Serious injuries are possible.
Depressurize the compressor!
Wear safety goggles!

- Remove the discharge gas shut-off valve or the pipe connection.

The check valve lies below it.

- Replace the check valve and both gaskets.
- Carefully mount the discharge gas shut-off valve or the pipe connection.

When turning or mounting shut-off valves:



NOTICE

Risk of damage to the compressor.
Tighten screws crosswise in at least 2 steps to the prescribed tightening torque.
Test tightness before commissioning!

9 Decommissioning

9.1 Standstill

Supply the compressor with voltage even during a standstill until it is dismantled in order to keep the oil heater in operation. This prevents increased refrigerant concentration in the oil.

If a longer standstill without voltage supply is planned:
Close the shut-off valves.



WARNING

Risk of refrigerant evaporation from the oil.
Increased risk of flammability, depending on the refrigerant!



Shut-down compressors or used oil may still contain rather high amounts of dissolved refrigerant.

Close the shut-off valves on the compressor and extract the refrigerant!

9.2 Dismounting the compressor



DANGER

Life-threatening voltages inside the FI housing!
Contact can lead to serious injuries or death.



Never open the FI housing in operation!
Switch off the main switch and secure it against being switched on again.

Wait for at least 5 minutes until all capacitors have been discharged!

Before switching on again, close the FI housing.

- Disconnect the compressor from the voltage supply.



WARNING

The compressor is under pressure!
Serious injuries are possible.



Depressurize the compressor!
Wear safety goggles!

- Close the shut-off valves on the compressor.
- Extract the refrigerant. Do not deflate the refrigerant, but dispose of it properly!
- Loosen screwed joints or flanges on the compressor valves.
- Remove the compressor from the system; use hoisting equipment if necessary, see chapter Transporting the compressor, page 7.

9.3 Disposing of the compressor

Drain the oil from the compressor. Dispose of waste oil properly! Have the compressor repaired or dispose of it properly!

When returning compressors that have been operated with flammable refrigerant, mark the compressor with the symbol "Caution flammable gas", as the oil may still contain refrigerant.

Inhaltsverzeichnis

1	Einleitung	27
1.1	Zusätzlich folgende technischen Dokumente beachten	27
2	Sicherheit	27
2.1	Autorisiertes Fachpersonal	27
2.2	Restgefahren	27
2.3	Sicherheitshinweise	27
2.3.1	Allgemeine Sicherheitshinweise	27
3	Anwendungsbereiche	28
3.1	Einsatz von brennbaren Kältemitteln der Sicherheitsgruppe A2L (z. B. R1234yf)	29
3.1.1	Anforderungen an den Verdichter und die Kälteanlage	29
3.1.2	Allgemeine Anforderungen an den Betrieb	30
4	Montage	30
4.1	Verdichter transportieren	30
4.2	Verdichter aufstellen	31
4.2.1	Ausbaufreiräume vorsehen	32
4.2.2	Schwingungsdämpfer	32
4.3	Rohrleitungen anschließen	32
4.3.1	Rohranschlüsse	32
4.3.2	Absperrventile	32
4.3.3	Rohrleitungen	33
4.3.4	Rohrleitungen für FU-Kühlung, ECO (Economiser) und LI (Kältemittelspritzung)	33
4.4	Ölanschlüsse	35
4.5	Leistungsregelung, Anlaufentlastung und V_i -Regelung	35
4.6	Anschlüsse und Maßzeichnungen	36
5	Elektrischer Anschluss	40
5.1	Hochspannungsprüfung (Isolationsfestigkeitsprüfung)	40
5.2	Schutzeinrichtungen	41
5.2.1	Druckschalter (HP + LP)	41
5.2.2	Integrierte Sensoren	41
5.2.3	Ölheizung	41
5.2.4	Ölabscheider isolieren	41
6	In Betrieb nehmen	41
6.1	Druckfestigkeit prüfen	41
6.2	Dichtheit prüfen	42
6.3	Evakuieren	42
6.4	Kältemittel einfüllen	42
6.5	Vor dem Verdichteranlauf prüfen	42
6.6	Verdichteranlauf	43
6.6.1	Schmierung / Ölkontrolle	43
6.6.2	Hoch- und Niederschalter einstellen (HP + LP)	43
6.6.3	Verflüssigerdruck einstellen	43
6.6.4	Betriebsdaten überprüfen	43
6.6.5	Abstand zwischen zwei Verdichteranläufen (Schalthäufigkeit)	44
6.6.6	Schwingungen und Frequenzen	44

6.6.7	Besondere Hinweise für sicheren Verdichter- und Anlagenbetrieb	44
7	Betrieb	45
7.1	Regelmäßige Prüfungen	45
7.2	Kondenswasser	45
8	Wartung	45
8.1	Ölwechsel	45
8.2	Ölfiler wechseln	45
8.3	Integriertes Druckentlastungsventil.....	46
8.4	Integriertes Rückschlagventil.....	46
9	Außer Betrieb nehmen	47
9.1	Stillstand	47
9.2	Verdichter demontieren	47
9.3	Verdichter entsorgen	47

1 Einleitung

Diese Kältemittelverdichter sind zum Einbau in Kälteanlagen entsprechend der EU-Maschinenrichtlinie 2006/42/EG vorgesehen. Sie dürfen nur in Betrieb genommen werden, wenn sie gemäß vorliegender Montage-/Betriebsanleitung in diese Kälteanlagen eingebaut worden sind und als Ganzes mit den entsprechenden gesetzlichen Vorschriften übereinstimmen (angewandte Normen: siehe Einbauerklärung).

Die Verdichter sind nach dem aktuellen Stand der Technik und entsprechend den geltenden Vorschriften gebaut. Auf die Sicherheit der Anwender wurde besonderer Wert gelegt.

Diese Betriebsanleitung während der gesamten Verdichterlebensdauer an der Kälteanlage verfügbar halten.

1.1 Zusätzlich folgende technischen Dokumente beachten

ST-160: Steuerung der Kompaktschraubenverdichter mit integriertem FU.

SW-100: Anzugsmomente für Schraubverbindungen.

SW-170: Prüf- und Austauschintervalle bei Kompaktschraubenverdichtern.

2 Sicherheit

2.1 Autorisiertes Fachpersonal

Sämtliche Arbeiten an Verdichtern und Kälteanlagen dürfen nur von Fachpersonal ausgeführt werden, das in allen Arbeiten ausgebildet und unterwiesen wurde. Für die Qualifikation und Sachkunde des Fachpersonals gelten die jeweils landesüblichen Vorschriften und Richtlinien.

2.2 Restgefahren

Vom Verdichter können unvermeidbare Restgefahren ausgehen. Jede Person, die an diesem Gerät arbeitet, muss deshalb diese Betriebsanleitung sorgfältig lesen!

Es gelten zwingend

- die einschlägigen Sicherheitsvorschriften und Normen (z.B. EN378, EN60204 und EN60335),
- die allgemein anerkannten Sicherheitsregeln,
- die EU-Richtlinien,
- nationale Vorschriften.

2.3 Sicherheitshinweise

sind Anweisungen um Gefährdungen zu vermeiden. Sicherheitshinweise genauestens einhalten!



HINWEIS

Sicherheitshinweis um eine Situation zu vermeiden, die die Beschädigung eines Geräts oder dessen Ausrüstung zur Folge haben könnte.



VORSICHT

Sicherheitshinweis um eine potentiell gefährliche Situation zu vermeiden, die eine geringfügige oder mäßige Verletzung zur Folge haben könnte.



WARNUNG

Sicherheitshinweis um eine potentiell gefährliche Situation zu vermeiden, die den Tod oder eine schwere Verletzung zur Folge haben könnte.



GEFAHR

Sicherheitshinweis um eine unmittelbar gefährliche Situation zu vermeiden, die eine schwere Verletzung oder den Tod zur Folge hat.

2.3.1 Allgemeine Sicherheitshinweise

Auslieferungszustand



VORSICHT

Der Verdichter ist mit Schutzgas gefüllt: Überdruck 0,2 .. 0,5 bar.



Verletzungen von Haut und Augen möglich. Verdichter auf drucklosen Zustand bringen! Schutzbrille tragen!

Bei Arbeiten am Verdichter, nachdem er in Betrieb genommen wurde



WARNUNG

Verdichter steht unter Druck! Schwere Verletzungen möglich.



Verdichter auf drucklosen Zustand bringen! Schutzbrille tragen!



VORSICHT

Oberflächentemperaturen von über 60°C bzw. unter 0°C.



Verbrennungen und Erfrierungen möglich. Zugängliche Stellen absperren und kennzeichnen.

Vor Arbeiten am Verdichter: Ausschalten und abkühlen lassen.

Bei Arbeiten an Elektrik und Frequenzumrichter (FU)



GEFAHR

Lebensgefährliche Spannungen im FU-Gehäuse!



Berühren kann zu schweren Verletzungen oder Tod führen.

FU-Gehäuse niemals im Betrieb öffnen!

Hauptschalter ausschalten und gegen Wiedereinschalten sichern.

Mindestens 5 Minuten warten bis alle Kondensatoren entladen sind!

Vor Wiedereinschalten FU-Gehäuse verschließen.

Der Hauptschalter muss bei allen Arbeiten im FU-Gehäuse ausgeschaltet werden. Dies gilt auch, wenn die Funktion "sicher abgeschaltetes Moment" (STO) oder die Funktion "Motor-Aus" den Verdichter stillgesetzt hat. Der FU bleibt dabei unter Spannung!



HINWEIS

Beschädigung oder Ausfall des FU durch zu hohe Spannung!



Keine Spannung anlegen an die Klemmleisten X02 bis X06 der Steuerkarte – auch nicht zum Prüfen!

An die anderen Klemmen der Steuerkarte und der Erweiterungskarte nur Schutzkleinspannung (PELV) anlegen.

An den Klemmen CN1, CN2, CN4, CN5, CN6 und CN9 der Erweiterungskarte liegt die Versorgungsspannung der Peripheriegeräte an (230 V oder 115 V).

An Spannungsausgänge niemals Spannung anlegen, auch nicht zum Prüfen.

Für alle CSV...MY-Typen gilt zusätzlich



WARNUNG

Starkes Magnetfeld!

Magnetische und magnetisierbare Objekte fern halten!



Personen mit Herzschrittmachern, implantierten Defibrillatoren oder Metallimplantaten: mindestens 30 cm Abstand halten!

Die CSV...MY-Typen sind mit einem Permanentmagnetmotor ausgestattet. Seine Magnete erzeugen ein nicht vernachlässigbares Magnetfeld. Diese Verdichter tragen diese Warnschilder:

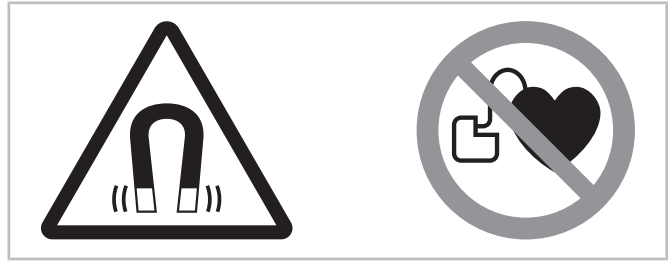


Abb. 1: Warn- und Verbotsschilder auf dem Verdichter

3 Anwendungsbereiche

Zulässige Kältemittel	R134a, R450A, R513A, R1234yf, R1234ze(E)
Ölfüllung	CSVH: BSE170 CSVW: BSE170L
Einsatzgrenzen	Siehe Prospekt SP-160 und BITZER SOFTWARE ab Version 6.8.

Tab. 1: Anwendungsbereiche der CSV.-Verdichter



WARNUNG

Berstgefahr des Verdichters durch gefälschte Kältemittel!

Schwere Verletzungen möglich!

Kältemittel nur von renommierten Herstellern und seriösen Vertriebspartnern beziehen!

Bei Betrieb im Unterdruckbereich Gefahr von Lufteintritt



HINWEIS

Chemische Reaktionen möglich sowie überhöhter Verflüssigungsdruck und Anstieg der Druckgastemperatur.

Lufteintritt vermeiden!



WARNUNG

Kritische Verschiebung der Kältemittelzündgrenze möglich.

Lufteintritt vermeiden!

3.1 Einsatz von brennbaren Kältemitteln der Sicherheitsgruppe A2L (z. B. R1234yf)



Information

Die Angaben in diesem Kapitel zum Einsatz von Kältemitteln der Sicherheitsgruppe A2L beziehen sich auf europäische Vorschriften und Richtlinien. In Regionen außerhalb der EU die dort geltenden länderspezifischen Vorschriften beachten.

Dieses Kapitel beschreibt die vom Verdichter beim Einsatz von Kältemitteln der Sicherheitsklasse A2L ausgehenden zusätzlichen Restrisiken und gibt Erläuterungen dazu. Diese Informationen dienen dem Anlagenhersteller für die von ihm auszuführende Risikobewertung der Anlage. Diese Informationen können in keiner Weise die Risikobewertung für die Anlage ersetzen.

Bei der Ausführung, der Wartung und dem Betrieb von Kälteanlagen mit brennbaren Kältemitteln der Sicherheitsgruppe A2L gelten besondere Sicherheitsbestimmungen.

Die Verdichter sind bei Installation entsprechend dieser Betriebsanleitung im Normalbetrieb ohne Fehlfunktion frei von Zündquellen, die die brennbaren Kältemittel R1234yf und R1234ze(E) entzünden können. Sie gelten als technisch dicht. Für andere Kältemittel der Sicherheitsgruppe A2L liegen keine Zündquellenbewertungen vor.



Information

Bei Einsatz eines brennbaren Kältemittels: Warnzeichen "Warnung vor feuergefährlichen Stoffen" (W021 nach ISO7010) gut sichtbar am Verdichter anbringen. Ein Aufkleber dieses Warnzeichens ist der Betriebsanleitung beigelegt.



Die Verbrennung von Kältemittel im FU-Gehäuse kann nur bei gleichzeitigem Auftreten mehrerer sehr seltener Ausfälle geschehen. Die Wahrscheinlichkeit dafür ist als äußerst gering einzuschätzen. Bei der Verbrennung von fluorhaltigen Kältemitteln im FU-Gehäuse können lebensgefährliche Mengen an giftigen Gasen freigesetzt werden.



GEFAHR

Lebensgefährliche Abgase und Verbrennungsrückstände!



Maschinenraum mindestens 2 Stunden lang gut ventilieren.

Verbrennungsprodukte keinesfalls einatmen!
Mit säurefesten Handschuhen arbeiten.

Das Kältemittel kann nur bei schweren elektrischen Ausfällen im FU gezündet werden. Dabei wird typischerweise die Sicherung der Leistungsspannungsvorsorgung des FU ausgelöst. Wenn der Gaswarnsensor ausgelöst hat oder bei einem Verdacht auf verbranntes Kältemittel: Aufstellort nicht betreten und mindestens 2 Stunden gut ventilieren. Verbrennungsprodukte keinesfalls einatmen. Die möglicherweise giftige und korrosive Abluft muss ins Freie geleitet werden.

Aufstellort erst betreten, wenn die Verbrennungsgase vollständig abgezogen sind. Dann zunächst das FU-Gehäuse um einen Spalt öffnen, damit darin befindliche Gase abziehen können:

- Geeignete, säurefeste Handschuhe verwenden.
- Verbrennungsrückstände nicht berühren.
- Schrauben des FU-Gehäuses vorsichtig entfernen.
- FU-Gehäusedeckel etwas nach vorne ziehen und einen Spalt von etwa 1 cm erzeugen.
- Aufstellort sofort verlassen und mindestens weitere 3 Stunden lüften lassen.

Feuchte Rückstände nicht berühren sondern trocknen lassen, da sie gelöste giftige Stoffe enthalten können. Betroffene Teile durch ausgebildetes Fachpersonal reinigen lassen bzw. im Falle von Korrosion betroffene Teile fachgerecht entsorgen.

3.1.1 Anforderungen an den Verdichter und die Kälteanlage

Die Ausführungsbestimmungen sind in Normen festgelegt (z.B. EN378). Mit Blick auf die hohen Anforderungen und die Produkthaftung ist generell die Durchführung der Risikobewertung in Zusammenarbeit mit einer notifizierten Stelle zu empfehlen. Je nach Ausführung und Kältemittelfüllung, kann dabei eine Bewertung entsprechend EU Rahmenrichtlinien 2014/34/EU und 1999/92/EG (ATEX 137) erforderlich werden.



GEFAHR

Brandgefahr bei Kältemittelaustritt und vorhandener Zündquelle!



Offenes Feuer und Zündquellen im Maschinenraum bzw. Gefährdungsraum vermeiden!

- Zündgrenzen des jeweiligen Kältemittels in Luft beachten, siehe auch EN378-1.
- Maschinenraum entsprechend EN378 belüften bzw. Absaugvorrichtung installieren.
- Zum Öffnen der Rohrleitungen, nur Rohrabschneider, keine offene Flamme verwenden!

- Bauteile, an denen Kältemittel austreten kann (z. B. Niederdruck- oder Hochdruckwächter oder Niederdruck- oder Hochdruckbegrenzer) nur außerhalb des Schaltschranks installieren!

Wenn folgende Sicherheitsvorschriften und Anpassungen eingehalten werden, können die Standardverdichter mit den genannten Kältemitteln der Sicherheitsgruppe A2L betrieben werden.

- Max. Kältemittelfüllung nach Aufstellungsort und Aufstellungsbereich beachten! Siehe EN378-1 und lokale Vorschriften.
- Kein Betrieb im Unterdruckbereich! Sicherheitseinrichtungen zum Schutz gegen zu niedrigen und auch zu hohen Druck installieren und entsprechend den Anforderungen der Sicherheitsbestimmungen (z. B. EN378-2) ausführen.
- Lufteintritt in die Anlage vermeiden – auch bei und nach Wartungsarbeiten!

3.1.2 Allgemeine Anforderungen an den Betrieb

Für den Betrieb der Anlage und den Schutz von Personen gelten üblicherweise nationale Verordnungen zur Produktsicherheit, Betriebssicherheit und zur Unfallverhütung. Hierzu sind gesonderte Vereinbarungen zwischen dem Hersteller der Anlage und dem Betreiber zu treffen. Die Durchführung der erforderlichen Gefährdungsbeurteilung für Aufstellung und Betrieb der Anlage liegt dabei in der Verantwortung des Betreibers bzw. Arbeitgebers. Die Zusammenarbeit mit einer notifizierten Stelle ist dabei zu empfehlen.

- Zum Öffnen der Rohrleitungen, nur Rohrabschneider, keine offene Flamme, verwenden.

4 Montage

4.1 Verdichter transportieren

Verdichter entweder verschraubt auf der Palette transportieren oder an Transportösen anheben.



GEFAHR

Schwebende Last!
Nicht unter die Maschine treten!



HINWEIS

Das FU-Gehäuse kann bei starkem Stoß oder Druck brechen.
FU-Gehäuse sorgsam behandeln.

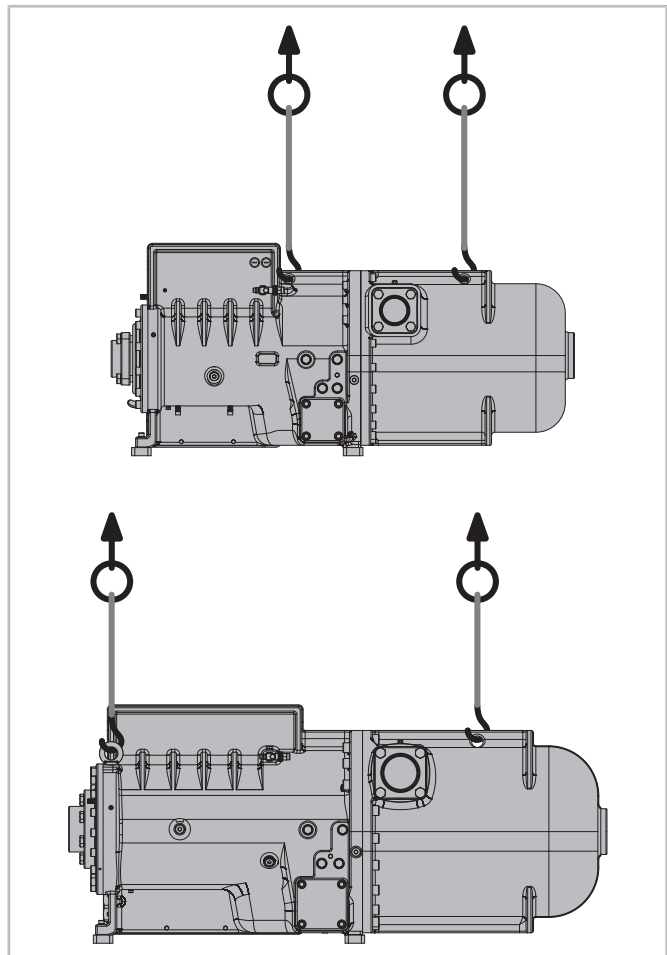


Abb. 2: CSV.-Verdichter anheben, oben: CSV.2, unten: CSV.3

Gewichte und Schwerpunkte

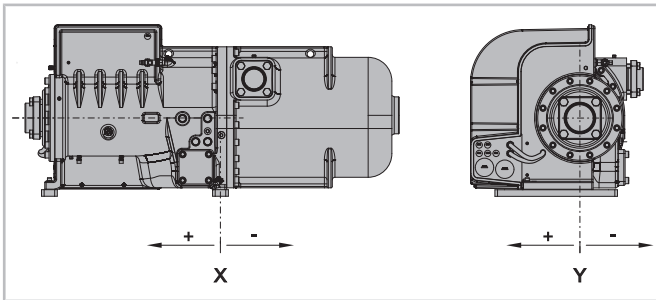


Abb. 3: Bezugspunkte für Schwerpunkte

①: ohne Saug- und Druckgasabsperrentil

②: mit Sauggasabsperrentil

③: mit Saug- und Druckgasabsperrentil

Verdichter	Gewicht in kg			Abweichung des Schwerpunkts in mm		
	①	②	③	X ①	X ②	Y
CSV.24	740	760	770	+92	+150	+30
CSV.25	750	770	780	+92	+150	+30
CSV.26	760	780	790	+92	+150	+30
CSV.37	1140	1190	1210	+150	+165	+22
CSV.38	1150	1200	1220	+150	+165	+22

Tab. 2: Gewichte und Schwerpunkte der CSV.-Verdichter

4.2 Verdichter aufstellen

Verdichter waagrecht montieren, vorzugsweise direkt auf einem Grundrahmen, keinesfalls auf Bündelrohrwärmeübertragern.

Nicht oberhalb 2000 Meter über dem Normalhöhennull und nicht unter extremen Bedingungen aufstellen (z. B. aggressive Atmosphäre oder niedrige Außentemperaturen).

Bedingungen für den Frequenzumrichter (FU) siehe ST-160, Kapitel Technische Daten.

Schiffsanwendung

Verdichter parallel zur Schiffslängsachse einbauen und

- entweder waagrecht zum Wasserspiegel
- oder um 10° in Verdichterrichtung geneigt, mit dem Motor nach unten
Voraussetzung dafür: Das Ölniveau bleibt in Betrieb im Bereich des oberen Schauglases. In der folgenden Abbildung ist es als breiter grauer Strich angedeutet.

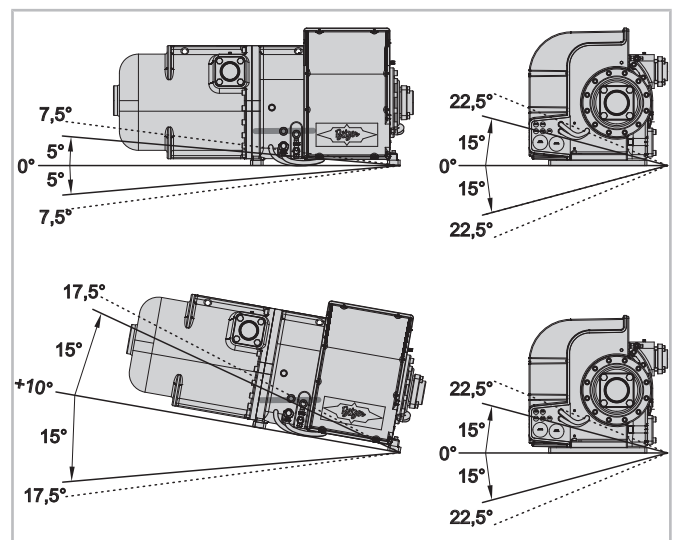


Abb. 4: zulässige Neigungswinkel des Schiffs am Beispiel CSVH2

Aufstellung	Neigung in Längsrichtung		Neigung in Querrichtung	
	statisch	dynamisch	statisch	dynamisch
waagrecht	±5°	±7,5°	±15°	±22,5°
+10° geneigt	±15°	±17,5°	±15°	±22,5°

Tab. 3: maximale Neigungswinkel des Schiffs

4.2.1 Ausbaufreiräume vorsehen

Bei der Integration des Verdichters in die Anlage ausreichend große Ausbaufreiräume einplanen:

Platzbedarf des FU-Gehäusedeckels

Die Maße sind mit X gekennzeichnet, siehe Kapitel Anschlüsse und Maßzeichnungen, Seite 36. Der Deckel sitzt sehr stramm, deshalb zusätzlich einen großzügigen Arbeitsraum vorsehen.

Platzbedarf des Ölfilters

Mindestens 300 mm vor dem Rechteckflansch, Anschlussposition 18, siehe Kapitel Anschlüsse und Maßzeichnungen, Seite 36.

4.2.2 Schwingungsdämpfer

Die Verdichter können starr montiert werden. Zur Verringerung von Körperschall empfiehlt sich jedoch die Verwendung der speziell abgestimmten Schwingungsdämpfer (Option).

Schwingungsdämpfer montieren

Siehe folgende Abbildung. Die Schrauben anziehen, bis erste Verformungen der oberen Gummischeibe sichtbar werden.

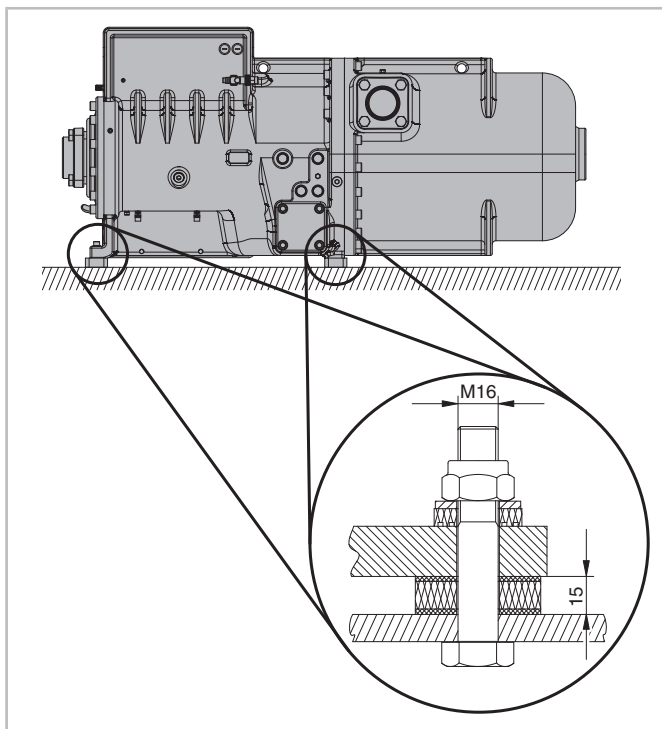


Abb. 5: Schwingungsdämpfer

4.3 Rohrleitungen anschließen



WARNUNG

Verdichter steht unter Druck!
Schwere Verletzungen möglich.
Verdichter auf drucklosen Zustand bringen!
Schutzbrille tragen!



HINWEIS

Chemische Reaktionen bei Luftzutritt möglich!
Zügig arbeiten und Absperrventile bis zum Evakuieren geschlossen halten.

4.3.1 Rohranschlüsse

Die Rohranschlüsse sind so ausgeführt, dass Rohre in den gängigen Millimeter- und Zollabmessungen verwendet werden können. Lötanschlüsse haben gestufte Durchmesser. Je nach Abmessung wird das Rohr mehr oder weniger tief eintauchen. Falls nötig kann das Buchsenende mit dem größeren Durchmesser auch abgesägt werden.

4.3.2 Absperrventile



VORSICHT

Die Absperrventile können je nach Betrieb sehr kalt oder sehr heiß werden.
Verbrennungs- oder Erfrierungsgefahr!
Geeignete Schutzausrüstung tragen!



HINWEIS

Absperrventile nicht überhitzen!
Während und nach dem Löten Ventilkörper und Lötadapter kühlen.
Maximale Löttemperatur 700°C!
Zum Schweißen Rohranschlüsse und Buchsen demontieren.

Falls Absperrventile gedreht oder neu montiert werden:



HINWEIS

Beschädigungen des Verdichters möglich.
Schrauben mit vorgeschriebenem Anzugsmoment über Kreuz in mindestens 2 Schritten anziehen.
Vor Inbetriebnahme Dichtheit prüfen!

Beim Nachrüsten des ECO-Absperrventils:



Information

Um den Korrosionsschutz zu erhöhen, wird empfohlen, das ECO-Absperrventil zusätzlich zu lackieren.

4.3.3 Rohrleitungen

Grundsätzlich nur Rohrleitungen und Anlagenbauteile verwenden, die

- innen sauber und trocken sind (frei von Zunder, Metallspänen, Rost- und Phosphatschichten) und
- luftdicht verschlossen angeliefert werden.

Die Verdichter werden je nach Ausführung mit Verschlusscheiben an den Rohranschlüssen bzw. Absperrventilen ausgeliefert. Diese müssen vor der Prüfung auf Druckfestigkeit und Dichtheit und der Inbetriebnahme entfernt werden.



Information

Die Verschlusscheiben sind ausschließlich als Transportschutz ausgelegt. Sie sind nicht geeignet als Trennung einzelner Anlagenabschnitte bei der Druckfestigkeitsprüfung.

Rohrleitungen so führen, dass während des Stillstands keine Überflutung des Verdichters mit Öl oder flüssigem Kältemittel möglich ist. Hinweise in SH-170 unbedingt beachten.

Reinigungsfilter und Filtertrockner



HINWEIS

Bei Anlagen mit längeren Rohrleitungen oder wenn ohne Schutzgas gelötet wird: Saugseitigen Reinigungsfilter einbauen (Filterfeinheit < 25 µm).

Ein saugseitiger Reinigungsfilter muss folgende Kriterien erfüllen:

- Filterfeinheit 25 µm
- Filter mit innerem und äußerem Metallstützgewebe
- geeignet für bidirektionalen Betrieb



HINWEIS

Verdichterschaden möglich!
Im Hinblick auf hohen Trocknungsgrad und zur chemischen Stabilisierung des Kreislaufs, reichlich dimensionierte Filtertrockner geeigneter Qualität verwenden (Molekularsiebe mit speziell angepasster Porengröße).

Zusatzanschlüsse zum Evakuieren

Für höchste Evakuierleistung empfiehlt es sich, groß dimensionierte, absperrbare Zusatzanschlüsse auf Druck- und Saugseite einzubauen. Abschnitte, die durch Rückschlagventile abgesperrt sind, müssen separate Anschlüsse haben.

Bei allen Anschlüssen beachten, die nachträglich an den Verdichter angebracht werden



HINWEIS

Gefahr von Kältemittelverlust!
Gewinde prüfen.
Adapter sorgfältig mit dem vorgeschriebenen Anzugsmonemt einschrauben.
Vor Inbetriebnahme Dichtheit prüfen!

4.3.4 Rohrleitungen für FU-Kühlung, ECO (Economiser) und LI (Kältemittelspritzung)

Feinfilter einbauen

Diese Anschlüsse führen direkt in Verdichterbereiche mit sensibler Mechanik. Deshalb muss in jede Leitung ein Filter eingebaut werden, wenn die Anlage nicht fabrikmäßig gefertigt wird.

Leitungen ausreichend befestigen

Bei unsachgemäßer Montage können diese Rohrleitungen sehr stark aufschwingen.



HINWEIS

Schwingungsbrüche möglich!
Jede einzelne Rohrleitung gut befestigen.
Schwingungsverhalten im Betrieb prüfen!

Jede Rohrleitung mit einer Kälteschelle am Verdichter befestigen. Dazu die Montagebohrungen am Verdichter nutzen, siehe Anschlüsse auf den folgenden Seiten:

14a: ECO-Leitung

14b: Flüssigkeitsleitung zur FU-Kühlung (Standardlieferungsumfang) und für optionalen LI-Anschluss



HINWEIS

Gefahr von Kältemittelverlust!
Gewinde prüfen.
Vor Inbetriebnahme der Anlage neu montierte Rohrleitungen auf Druckfestigkeit und Dichtheit prüfen!

Wenn das jeweilige Anschlussventil nachgerüstet wird oder beim Montieren der Rohrleitung entfernt wird:



HINWEIS

Gefahr von Kältemittelverlust!
Gewinde prüfen.
Ventil sorgfältig mit dem vorgeschriebenen Anzugsmonemt einschrauben.
Vor Inbetriebnahme Dichtheit prüfen!

Anschluss zur FU-Kühlung

Diese Leitung muss zwingend angeschlossen werden. Sie versorgt die Kühlplatte des Frequenzumrichters mit flüssigem Kältemittel. Das Rohr von einem horizontalen Leitungsabschnitt aus zunächst nach unten führen um blasenfreie Flüssigkeitsversorgung zu gewährleisten. Siehe folgende Abbildung, hellgraue Rohrleitung. In die Leitung zusätzlich ein Schauglas und ggf. einen Feinfilter einbauen.

Anschluss für Kältemitelein-spritzung (LI)

CSVH-Verdichter können optional mit LI-Anschluss ausgeliefert werden. Das LI-Magnetventil ist dann verdrahtet und wird über den FU gesteuert. Die Rohrleitung ist montiert, sie zweigt im Verdichter von der Leitung zur FU-Kühlung ab. Siehe folgende Abbildung, dunkelgraue Rohrleitung. Nachträgliche Montage siehe Wartungsanleitung SW-160. Weitere Informationen zum Betrieb mit Kältemitelein-spritzung und zur Anlagenausführung siehe SH-170.

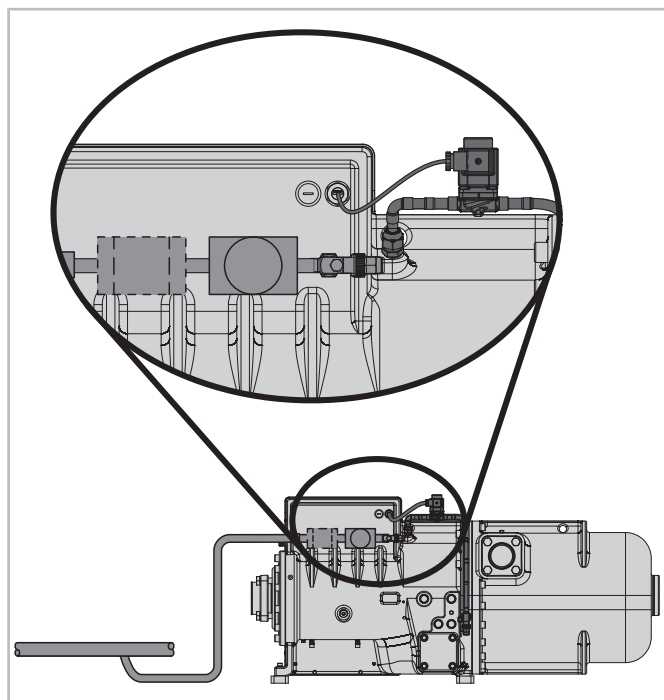


Abb. 6:
hellgrau: Rohr-führung der FU-Kühlung (flüssiges Kältemittel) mit Schauglas und Filter (Filter je nach Anlagenausführung)
dunkelgrau: optionaler LI-Anschluss bei CSVH

Economiser (ECO)

Der ECO ist als Option verfügbar. Er wird als Bausatz ausgeliefert (Ventil, Anschlussstück, Dichtungen, Rohrleitungen und Pulsationsdämpfer, Rohrschelle und Montageskizze).



HINWEIS

Gefahr von Kältemittelverlust!

Gewinde prüfen.

Ventil sorgfältig mit dem vorgeschriebenen Anzugsmoment einschrauben.

Vor Inbetriebnahme Dichtheit prüfen!

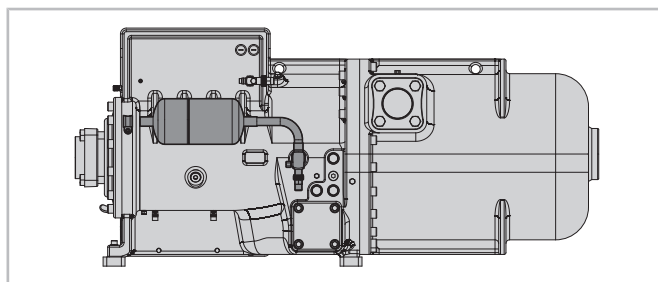


Abb. 7: Optionaler ECO-Bausatz

ECO erst nach dem Aufstellen des Verdichters montieren. Dabei die Leitung senkrecht von oben zum ECO-Ventil führen. Siehe folgende Abbildung. Dies vermeidet Ölverlagerung und Beschädigung der Bauteile durch hydraulische Druckspitzen. Den zugeführten Kältemittel-massenstrom über ein Magnetventil direkt am Beginn der ECO-Leitung regeln. ECO-Magnetventil über den Anlagenregler ansteuern. Weitere Informationen zur ECO-Rohrführung siehe SH-170.

4.4 Ölschlüsse

Bei allen Anschlüssen beachten, die nachträglich angebracht werden:

HINWEIS

Gefahr von Kältemittelverlust!
Gewinde prüfen.
Adapter sorgfältig mit dem vorgeschriebenen Anzugsmoment einschrauben.
Vor Inbetriebnahme Dichtheit prüfen!

Manometeranschluss am Ölventil für die Wartung

Der Manometeranschluss am Ölventil für die Wartung ist mit Schraubkappe ausgeführt (7/16-20 UNF). Bei jeder Veränderung sehr sorgfältig arbeiten.

CSVH:

Externen Ölkühler anschließen

Externe Ölkühlung ermöglicht den Betrieb bei hoher thermischer Belastung. Zum Anschluss des externen Ölkühlers ist der Spezialadaptersatz erforderlich. Er verschließt die internen Ölkanäle und sorgt für einen effektiven Ölfluss zum Ölkühler. Montage siehe folgende Abbildung.

Weitere Hinweise zum Anschluss eines externen Ölkühlers siehe Handbuch SH-170.

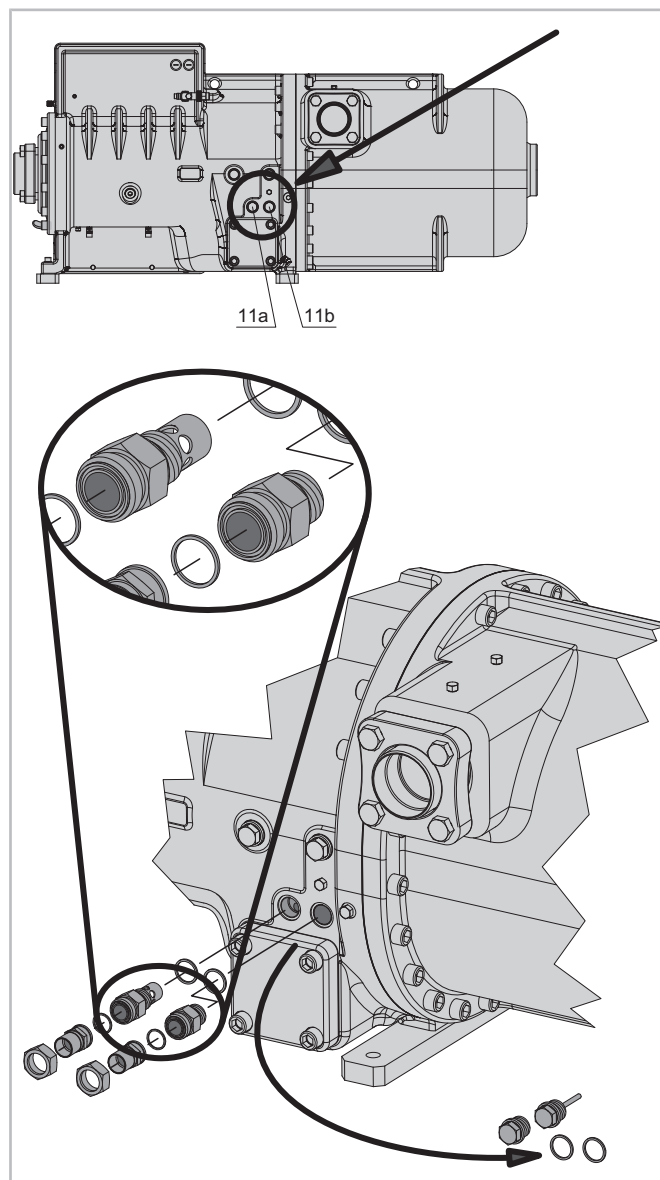


Abb. 8: Spezialadaptersatz zum Anschluss des externen Ölkühlers bei CSVH2 und CSVH3

CSWV:

Anschluss für Öl- und Gasrückführung

Anschluss siehe Kapitel Anschlüsse und Maßzeichnungen, Seite 36, Position 17.

4.5 Leistungsregelung, Anlaufentlastung und V_1 -Regelung

Diese Funktionen werden von der FU-Steuerung automatisch ausgeführt.

4.6 Anschlüsse und Maßzeichnungen

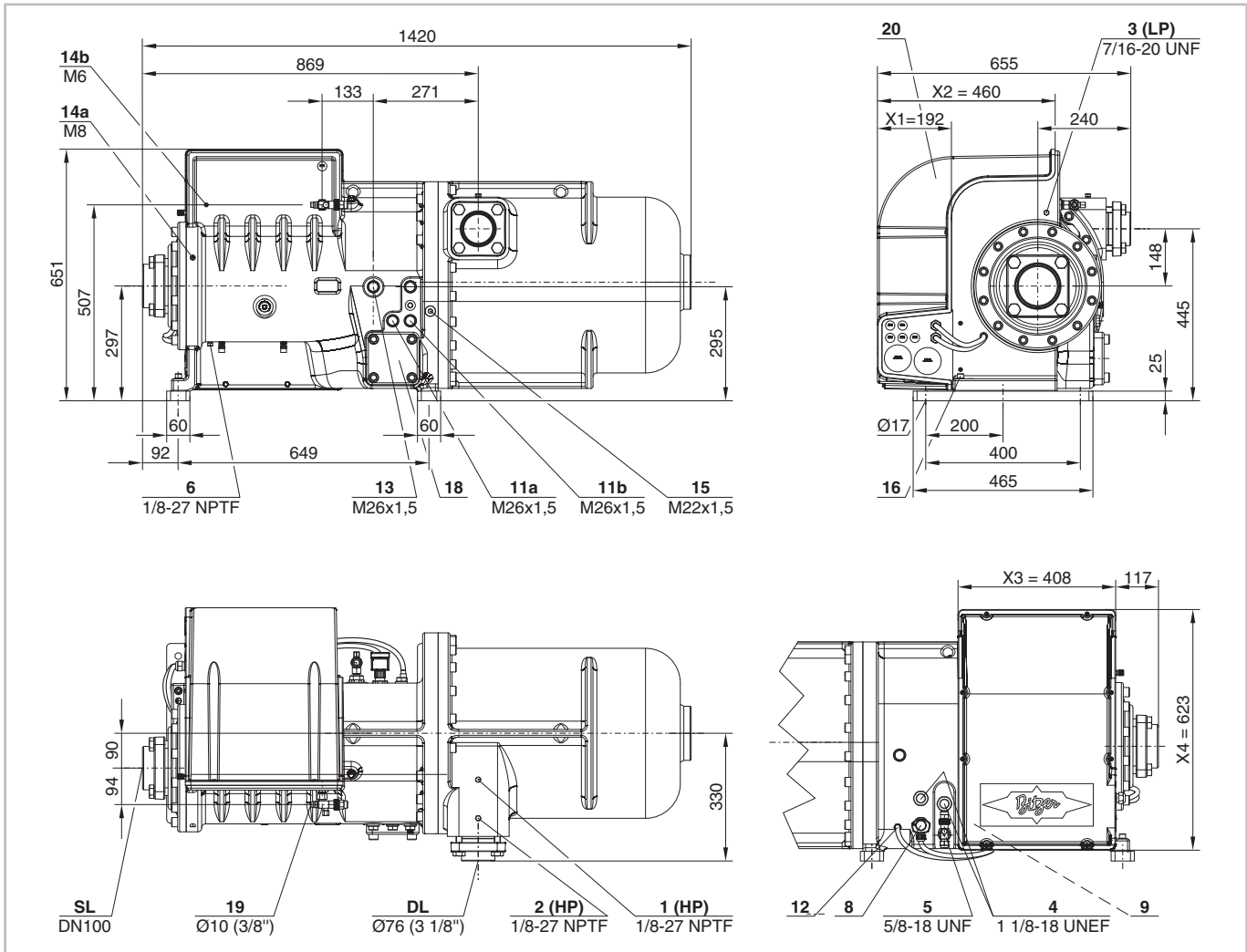


Abb. 9: CSVH2-Maßzeichnung, optionaler alternativer Sauggasanschluss: DN125

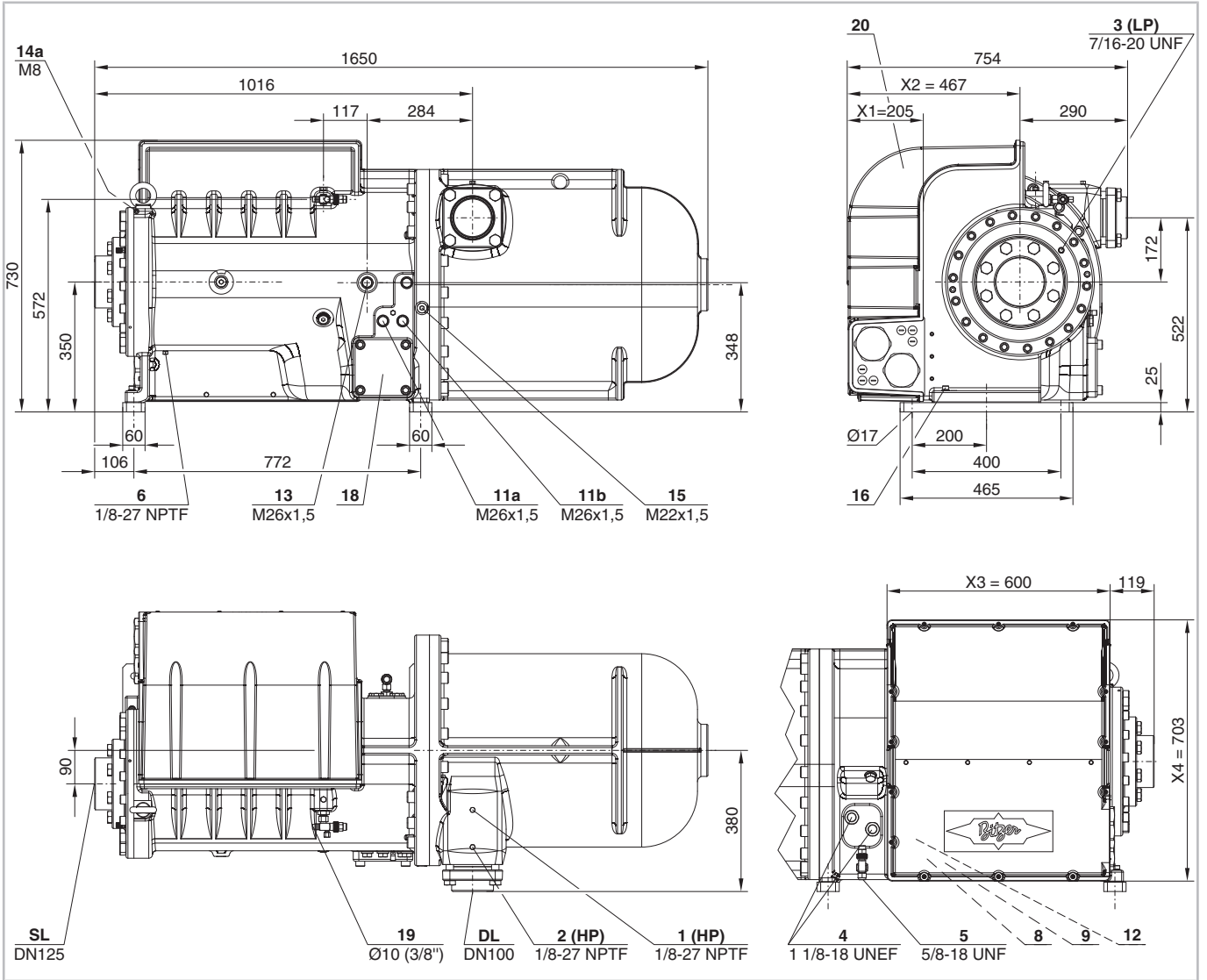


Abb. 10: CSVH3-Maßzeichnung

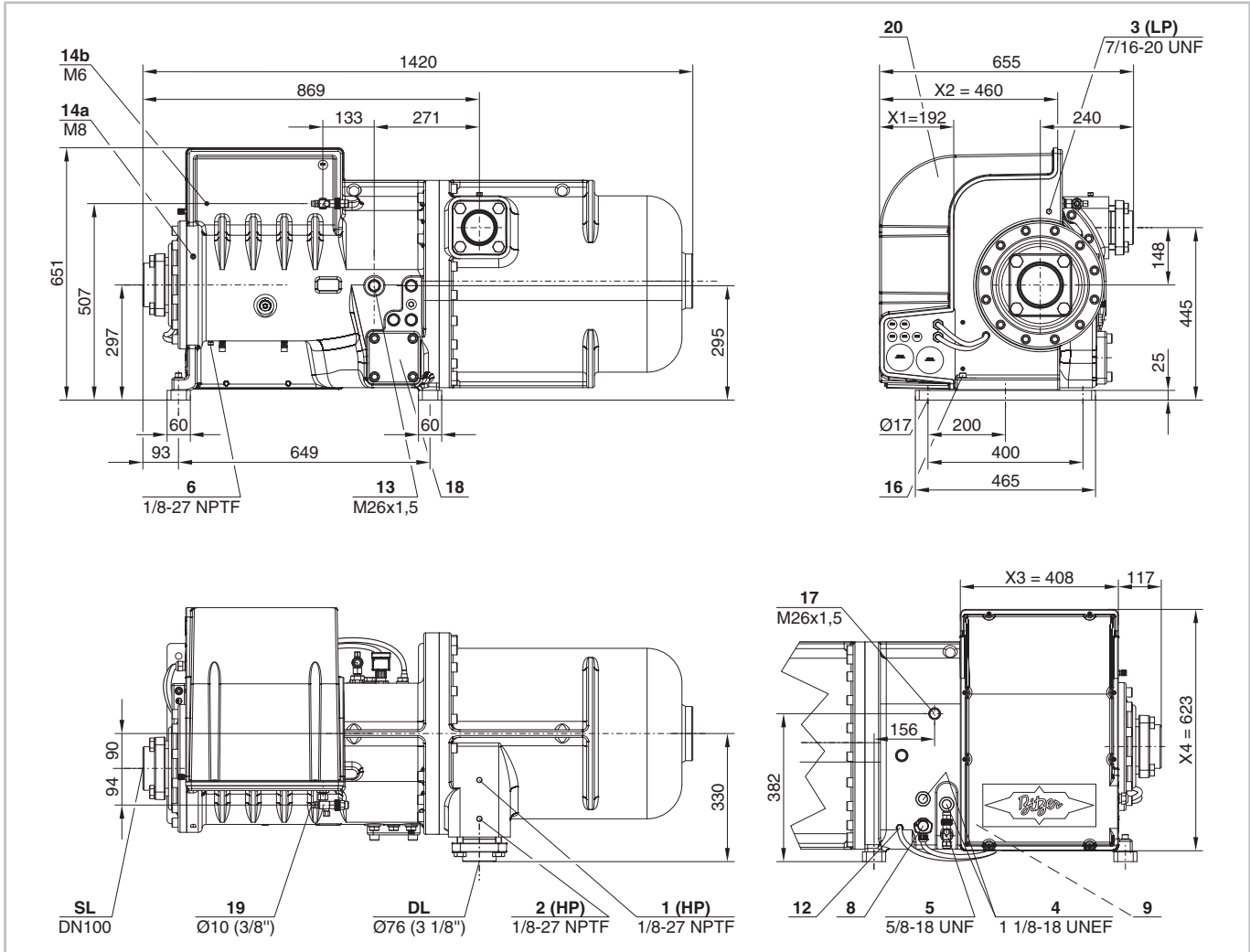


Abb. 11: CSVW2-Maßzeichnung, optionaler alternativer Sauggasanschluss: DN125

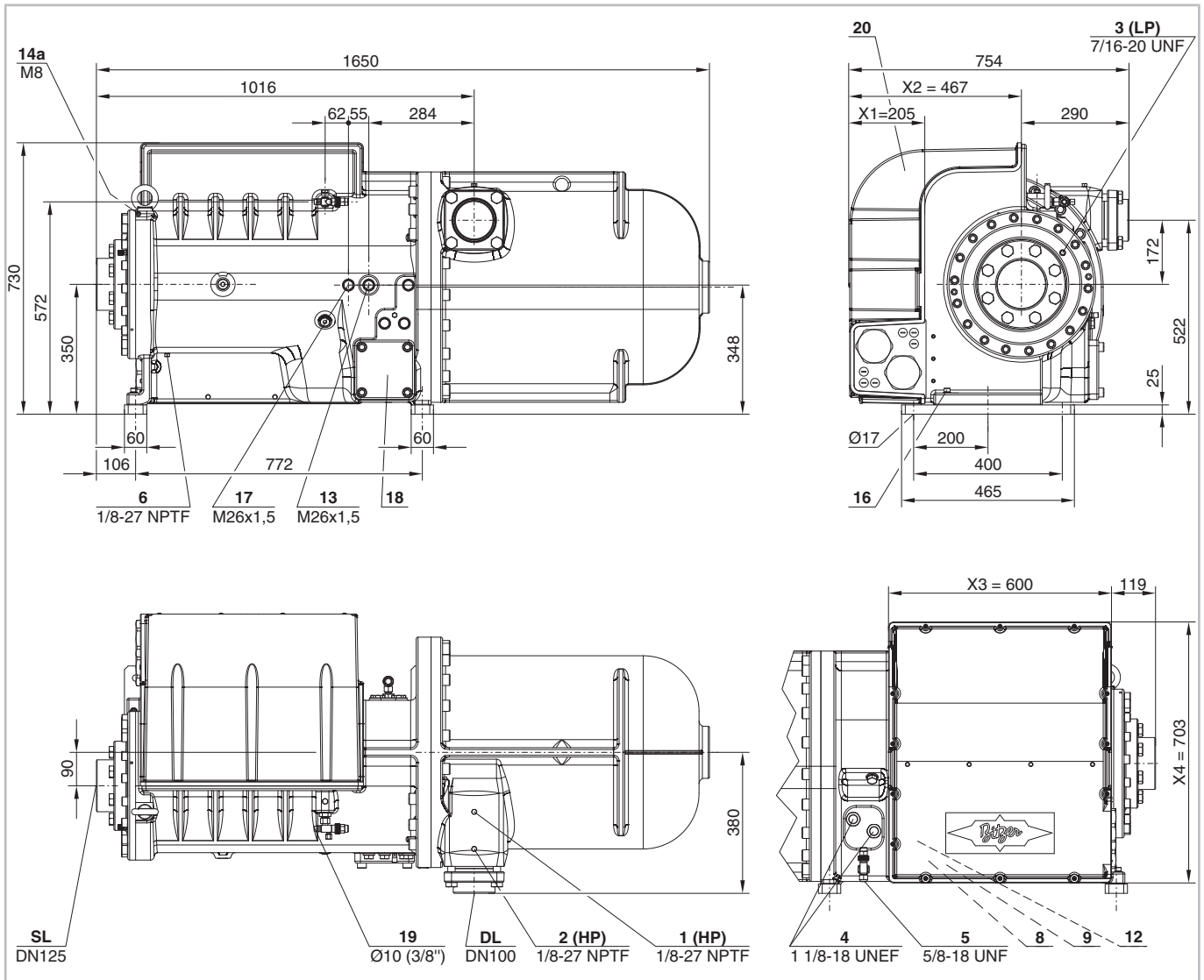


Abb. 12: CSVW3-Maßzeichnung

Anschlusspositionen	
1	Hochdruckanschluss (HP)
2	Zusätzlicher Hochdruckanschluss (HP)
3	Niederdruckanschluss (LP)
4	Ölschauglas
5	Ölventil für Wartung (Standard) / Anschluss für Ölausgleich (Parallelbetrieb)
6	Ölablassstopfen (Motorgehäuse)
8	Anschluss für opto-elektronischen Ölniveauewächter (OLC-D1-S), integriert in FU-Steuerung
9	Ölheizung mit Tauchhülse (Standard), integriert in FU-Steuerung
11	Anschlüsse für externen Ölkühler (Adapter optional)
11a	Austritt zum Ölkühler

Anschlusspositionen	
11b	Eintritt/Rückführung vom Ölkühler
12	Öltemperaturfühler, integriert in FU-Steuerung
13	Anschluss für Economiser (ECO, Absperrventil mit Pulsationsdämpfer optional)
14a	Gewindebohrung für Rohrhalterung für ECO-Leitung
14b	Gewindebohrung für Rohrhalterung für FU-Kühlung
15	Anschluss für Kältemiteleinstritzung (LI, optionaler Bausatz)
16	Erdungsschraube für Gehäuse
17	Anschluss für Öl- und Gasrückführung (für Anlagen mit überflutetem Verdampfer, Adapter optional)


Anschlusspositionen	
18	Ölfiter (Wartungsanschluss)
19	FU-Kühlung (flüssiges Kältemittel)
20	Frequenzumrichter (FU)
SL	Sauggasleitung
DL	Druckgasleitung

Tab. 4: Anschlusspositionen

Maßangaben (falls angegeben) können Toleranzen entsprechend EN ISO 13920-B aufweisen.

Legende gilt für alle CSV.-Verdichter und enthält Anschlusspositionen, die nicht in jeder Verdichterserie vorkommen.

5 Elektrischer Anschluss

 **GEFAHR**
Lebensgefährliche Spannungen im FU-Gehäuse!
Berühren kann zu schweren Verletzungen oder Tod führen.
FU-Gehäuse niemals im Betrieb öffnen!
Hauptschalter ausschalten und gegen Wiedereinschalten sichern.
Mindestens 5 Minuten warten bis alle Kondensatoren entladen sind!
Vor Wiedereinschalten FU-Gehäuse verschließen.

Der Antrieb durch Frequenzumrichter (FU) ist in Übereinstimmung mit der EU-Richtlinie für elektromagnetische Verträglichkeit 2014/30/EU ausgeführt. Das elektrische Zubehör entspricht der EU-Niederspannungsrichtlinie 2014/35/EU.



Anschlüsse für Spannungsversorgung und FU-Steuerung siehe ST-160. Ein einfacher Elektroanschlussplan befindet sich auf der Innenseite des FU-Gehäusedeckels.

FU-Gehäusedeckel montieren

Der FU-Gehäusedeckel sitzt sehr stramm. Deshalb beim Montieren:

- Umlaufende Nut des Deckels in die vorgesehene Position pressen.
- Schrauben einstecken und etwas anziehen. Die unterste Schraube auf der rechten Seite als letzte einstecken. Bei Bedarf den Rand des Gehäusedeckels anheben.
- Schrauben über Kreuz mit vorgegebenem Drehmoment anziehen.


Verdichtergehäuse zusätzlich erden

 **GEFAHR**
Elektrostatische Entladung mit hoher Spannung möglich.
 Gefahr von elektrischem Schlag!
Verdichtergehäuse zusätzlich erden!

Anschluss siehe Position 16 in den Maßzeichnungen.



5.1 Hochspannungsprüfung (Isolationsfestigkeitsprüfung)

Der Verdichter und FU wurden bereits im Werk einer Hochspannungsprüfung entsprechend EN12693 bzw. entsprechend UL984 bzw. UL60335-2-34 bei UL-Ausführung unterzogen.

 **HINWEIS**
Gefahr von Isolationsschaden und Motorausfall!
Zerstörung der FU-Elektronik möglich!
Hochspannungsprüfung keinesfalls in gleicher Weise wiederholen!

Eine erneute Hochspannungsprüfung darf nur mit maximal 1500 V Gleichspannung durchgeführt werden.

Die vorbereitenden Arbeiten und die Prüfung dürfen nur von speziell ausgebildeten und unterwiesenen Fachkräften ausgeführt werden!

 **GEFAHR**
Lebensgefährliche Spannungen im FU-Gehäuse!
 Berühren kann zu schweren Verletzungen oder Tod führen.
FU-Gehäuse niemals im Betrieb öffnen!
Hauptschalter ausschalten und gegen Wiedereinschalten sichern.
Mindestens 5 Minuten warten bis alle Kondensatoren entladen sind!
Vor Wiedereinschalten FU-Gehäuse verschließen.

Verdichter mit reduzierter Gleichspannung prüfen:

- FU-Gehäusedeckel entfernen.
- Alle 3 Motorstromschienen (oben am FU) mit allen 3 Anschlussklemmen am FU-Eingang (L1, L2, L3) verbinden.
- Prüfung durchführen.
- Prüfkabel entfernen und FU-Gehäusedeckel schließen.

5.2 Schutzeinrichtungen

5.2.1 Druckschalter (HP + LP)

Ein Hochdruckwächter an der Anschlussposition 1 (HP) ist erforderlich um den Verdichter zusätzlich zur Einsatzgrenzüberwachung der FU-Steuerung so abzusichern, dass keinesfalls unzulässige Betriebsbedingungen auftreten können, siehe Technische Information ST-160, Kapitel Druckschalter (F5 und F6).

Ein Niederdruckwächter an der Anschlussposition 3 (LP) ist je nach örtlichen Vorschriften nicht notwendig.

Anschlusspositionen am Verdichter siehe Kapitel Anschlüsse und Maßzeichnungen, Seite 36.

Die Druckschalter keinesfalls am absperrbaren Wartungsanschluss des Absperrventils anschließen! Örtliche Vorschriften beachten.

5.2.2 Integrierte Sensoren

In die FU-Steuerung sind die folgenden Sensoren integriert:

- Niederdruckmessumformer
- Hochdruckmessumformer
- Motortemperatur (NTC)
- Öltemperaturfühler (NTC)
- opto-elektronischer Ölniveauwächter für das minimale Ölniveau (OLC-D1-S)
- mehrere Temperatursensoren zur FU-Überwachung

Die FU-Steuerung überwacht außerdem:

- Schalthäufigkeit des Verdichters
- FU-Spannungsversorgung

Die Steuerungslogik wertet die Sensorsignale aus und meldet kritische Betriebszustände an den Anlagenregler. Sie passt die V_i -Regelung an den jeweiligen Betriebszustand automatisch an und schaltet die Ölheizung. Wird dennoch ein kritischer Betriebszustand erreicht schaltet die FU-Steuerung den Verdichter automatisch ab. Weitere Informationen siehe Technische Information ST-160, Kapitel Schutzfunktionen.

5.2.3 Ölheizung

Die Ölheizung befindet sich innerhalb des FU-Gehäuses, in der linken unteren Ecke. Sie wird im Werk montiert, verkabelt und in die FU-Steuerung integriert. Bei Bedarf schaltet die Steuerung die Ölheizung zu und ab. Eine weitere Verdichterheizung wird nicht benötigt.

5.2.4 Ölabscheider isolieren

Betrieb bei niedrigen Umgebungstemperaturen oder mit hohen Temperaturen auf der Hochdruckseite während des Stillstands (z. B. bei Wärmepumpen) erfordert zusätzliche Isolierung des Ölabscheiders.

6 In Betrieb nehmen

Der Verdichter ist ab Werk sorgfältig getrocknet, auf Dichtheit geprüft und mit Schutzgas (N_2) befüllt.



GEFAHR

Explosionsgefahr!

Verdichter keinesfalls mit Sauerstoff (O_2) oder anderen technischen Gasen abpressen!



WARNUNG

Berstgefahr!

Kritische Verschiebung der Kältemittelzündgrenze bei Überdruck möglich!

Dem Prüfmedium (N_2 oder Luft) kein Kältemittel beimischen (z. B. als Leckindikator).

Umweltbelastung bei Leckage und beim Abblasen!



HINWEIS

Gefahr von Öloxidation!

Druckfestigkeit und Dichtheit der gesamten Anlage bevorzugt mit getrocknetem Stickstoff (N_2) prüfen.

Bei Verwendung von getrockneter Luft: Verdichter aus dem Kreislauf nehmen – Absperrventile unbedingt geschlossen halten.

6.1 Druckfestigkeit prüfen

Kältekreislauf (Baugruppe) entsprechend EN378-2 prüfen (oder gültigen äquivalenten Sicherheitsnormen). Der Verdichter wurde bereits im Werk einer Prüfung auf Druckfestigkeit unterzogen. Eine Dichtheitsprüfung ist deshalb ausreichend, siehe Kapitel Dichtheit prüfen, Seite 42. Wenn dennoch die gesamte Baugruppe auf Druckfestigkeit geprüft wird:



GEFAHR

Berstgefahr durch zu hohen Druck!

Prüfdruck darf die maximal zulässigen Drücke nicht überschreiten!

Prüfdruck: 1,1-facher Druck des maximal zulässigen Betriebsdrucks (siehe Typschild). Dabei Hoch- und Niederdruckseite unterscheiden!

6.2 Dichtheit prüfen

Kältekreislauf (Baugruppe) als Ganzes oder in Teilen auf Dichtheit prüfen – entsprechend EN378-2 (oder gültigen äquivalenten Sicherheitsnormen). Dazu vorzugsweise mit getrocknetem Stickstoff einen Überdruck erzeugen.

Prüfdrücke und Sicherheitshinweis beachten, siehe Kapitel Druckfestigkeit prüfen, Seite 41.

6.3 Evakuieren

- Vorhandene Absperr- und Magnetventile öffnen.
- Die gesamte Anlage einschließlich Verdichter auf Saug- und Hochdruckseite mit Vakuumpumpe evakuieren.

Bei abgesperrter Pumpenleistung muss ein "stehendes Vakuum" kleiner als 1,5 mbar erreicht werden.

- Wenn nötig Vorgang mehrfach wiederholen.

HINWEIS

Gefahr von Motor- und Verdichterschaden!
Verdichter nicht im Vakuum anlaufen lassen!
Keine Spannung anlegen, auch nicht zum Prüfen!

6.4 Kältemittel einfüllen

Nur zulässige Kältemittel einfüllen, siehe Anwendungsbereiche.



GEFAHR

Berstgefahr von Bauteilen und Rohrleitungen durch hydraulischen Überdruck bei Flüssigkeitseinspeisung.
Schwere Verletzungen möglich.
Überfüllung der Anlage mit Kältemittel unbedingt vermeiden!



WARNUNG

Berstgefahr des Verdichters durch gefälschte Kältemittel!
Schwere Verletzungen möglich!
Kältemittel nur von renommierten Herstellern und seriösen Vertriebspartnern beziehen!



HINWEIS

Gefahr von Nassbetrieb bei Flüssigkeitseinspeisung!
Äußerst fein dosieren!
Druckgastemperatur mindestens 20 K über Verflüssigungstemperatur halten.

- Bevor Kältemittel eingefüllt wird:

- Hauptschalter (Q1) einschalten. Dabei sicherstellen, dass der Verdichter nicht eingeschaltet wird.
- Der FU ist jetzt unter Spannung, die Ölheizung ist aktiv.
- Ölniveau im Verdichter prüfen.
- Flüssiges Kältemittel direkt in den Verflüssiger bzw. Sammler füllen, bei Anlagen mit überflutetem Verdampfer evtl. auch in den Verdampfer.
- Gemische dem Füllzylinder als blasenfreie Flüssigkeit entnehmen.
- Nach Inbetriebnahme kann es notwendig werden, Kältemittel zu ergänzen: Bei laufendem Verdichter Kältemittel auf der Saugseite einfüllen, am besten am Verdampfereintritt. Gemische dabei dem Füllzylinder als blasenfreie Flüssigkeit entnehmen.

6.5 Vor dem Verdichteranlauf prüfen

- Ölniveau (zwischen Mitte des unteren Schauglases und dem oberen Bereich des oberen Schauglases)
- Einstellung und Funktion der Sicherheits- und Schutzeinrichtungen
- Sollwerte der Zeitrelais
- Abschalt drücke der Hoch- und Niederdruckschalter
- Prüfen, ob die Absperrventile geöffnet sind.

Bei Verdichteraustausch

Es befindet sich bereits Öl im Kreislauf. Deshalb kann es erforderlich sein, einen Teil der Ölfüllung abzulassen.



HINWEIS

Bei größeren Ölmengen im Kältekreislauf: Gefahr von Flüssigkeitsschlägen beim Verdichteranlauf!
Ölniveau innerhalb markiertem Schauglasbereich halten!

Wenn ein Hubkolbenverdichter ersetzt wird:

- Öl aus der Anlage vollständig entfernen. Das neue Öl hat nicht nur eine höhere Viskosität. Es ist ein Esteröl mit anderen chemischen und physikalischen Eigenschaften.



HINWEIS

Gefahr von Verdichterschaden!
Das neue Öl hat eine starke Reinigungswirkung im Kältekreislauf.

Auf der Saugseite einen Reinigungsfilter montieren, der für bidirektionalen Betrieb geeignet ist!

Filterfeinheit: 25 µm

- Filter für bidirektionalen Betrieb mit innerem und äußerem Metallstützgewebe einsetzen.
- Nach einigen Betriebsstunden: Öl und Reinigungsfilter austauschen.
- Vorgang ggf. wiederholen, siehe Kapitel Ölwechsel, Seite 45.

6.6 Verdichteranlauf

Detaillierte Beschreibung siehe ST-160, Kapitel Schnellbetriebnahme.

Drehrichtungsprüfung

Die CSV.-Schraubenverdichter laufen automatisch in der vorgeschriebenen Drehrichtung an. Die für Schraubenverdichter übliche Drehrichtungsprüfung ist nicht erforderlich.

10 s Zeitverzögerung

Beim Einschalten des Verdichters öffnet zuerst das Magnetventil für die FU-Kühlung. Der Verdichter läuft mit einer Zeitverzögerung von 10 Sekunden an.

6.6.1 Schmierung / Ölkontrolle

- Schmierung des Verdichters unmittelbar nach dem Verdichteranlauf prüfen.

Das Ölniveau muss im Bereich der beiden Schaugläser sichtbar sein.

- Ölniveau innerhalb der ersten Betriebsstunden wiederholt überprüfen!

In der Anlaufphase kann sich Ölschaum bilden, der sich aber bei stabilen Betriebszuständen abschwächen sollte. Sonst besteht der Verdacht auf hohen Flüssigkeitsanteil im Sauggas.



HINWEIS

Gefahr von Nassbetrieb!
Druckgastemperatur deutlich über Verflüssigungstemperatur halten: mindestens 20 K.



HINWEIS

Gefahr von Verdichterausfall durch Flüssigkeitsschläge!

Bevor größere Ölmengen nachgefüllt werden: Ölrückführung prüfen!

6.6.2 Hoch- und Niederdruckschalter einstellen (HP + LP)

Ein- und Abschalt drücke entsprechend den Betriebsgrenzen durch Test exakt prüfen.

6.6.3 Verflüssigerdruck einstellen

- Verflüssigerdruck so regeln, dass die Mindestdruckdifferenz innerhalb von 20 s nach dem Verdichteranlauf erreicht wird.
- Schnelle Druckabsenkung durch fein abgestufte Druckregelung vermeiden.

Einsatzgrenzen siehe Prospekt SP-160 und BITZER SOFTWARE ab Version 6.8.

6.6.4 Betriebsdaten überprüfen

- Verdampfungstemperatur
- Sauggastemperatur
- Verflüssigungstemperatur
- Druckgastemperatur
 - min. 20 K über Verflüssigungstemperatur
 - max. 120°C außen an der Druckgasleitung
- Öltemperatur direkt unter dem Ölschauglas
- Schalzhäufigkeit
- Stromwerte
- Spannung
- Datenprotokoll anlegen.

Automatische Datenaufzeichnung und Auslesen dieser Daten siehe ST-160.

Einsatzgrenzen siehe Prospekt SP-160 und BITZER SOFTWARE ab Version 6.8.

6.6.5 Abstand zwischen zwei Verdichteranläufen (Schalthäufigkeit)

Die FU-Steuerung erzwingt einen zeitlichen Abstand von mindestens 5 Minuten zwischen zwei Verdichteranläufen. Diesen Abstand auch bei Probeläufen und bei Wartungsarbeiten einhalten!

HINWEIS
Gefahr von Motorschaden!
Unbedingt vorgegebene Anforderungen durch entsprechende Steuerungslogik einhalten!

- Anzustrebende Mindestlaufzeit: 5 Minuten!
- Schalthäufigkeit nach Inbetriebnahme möglichst vermindern. Siehe dazu ST-160.

6.6.6 Schwingungen und Frequenzen

Anlage im gesamten Drehzahlbereich auf abnormale Schwingungen prüfen

Abhängig von der Verdichterdrehzahl ändert sich auch die Pulsationsfrequenz der Gassäule in der Druckgasleitung und die Erregerfrequenz an den Verdichtertüben und den Rohrleitungen. Dadurch kann es zu Resonanzeffekten in Rohrleitungen und anderen Anlagenbauteilen kommen.

Die gesamte Anlage sehr sorgfältig auf abnormale Schwingungen prüfen, insbesondere Rohrleitungen und Kapillarrohre. Wenn starke Schwingungen auftreten, mechanische Vorkehrungen treffen: Beispielsweise Rohrschellen anbringen oder Schwingungsdämpfer einbauen.

HINWEIS
Rohrbrüche und Leckagen an Verdichter und Anlagenbauteilen möglich!
Starke Schwingungen vermeiden!

Auch während des Betriebs wiederholt auf abnormale Schwingungen prüfen.

Drehzahlen, bei denen dennoch Resonanzen auftreten, in der Programmierung des Frequenzumrichters ausblenden. Siehe hierzu ST-160.

6.6.7 Besondere Hinweise für sicheren Verdichter- und Anlagenbetrieb

Analysen belegen, dass Verdichterausfälle meistens auf unzulässige Betriebsweise zurückzuführen sind. Dies gilt insbesondere für Schäden auf Grund von Schmiermangel:

- Funktion des Expansionsventils – Hinweise des Herstellers beachten!

- Temperaturfühler an der Sauggasleitung korrekt positionieren und befestigen.
 - Wenn ein innerer Wärmeübertrager eingesetzt wird: Fühler wie üblich nach dem Verdampfer positionieren – keinesfalls nach dem Wärmeübertrager.
 - Ausreichend hohe Sauggasüberhitzung, dabei auch minimale Druckgastemperaturen berücksichtigen.
 - Stabile Betriebsweise bei allen Betriebs- und Lastzuständen (auch Teillast, Sommer-/Winterbetrieb).
 - Blasenfreie Flüssigkeit am Eintritt des Expansionsventils, bei ECO-Betrieb bereits vor Eintritt in den Flüssigkeitsunterkühler.
- Kältemittelverlagerung von der Hoch- zur Niederdruckseite oder in den Verdichter bei langen Stillstandszeiten vermeiden!

- Damit die Ölheizung in Betrieb bleibt muss der Verdichter auch bei Stillstand immer mit Spannung versorgt sein. Dies gilt bei allen Anwendungen.

Bei Aufstellung in Bereichen niedriger Temperatur kann es notwendig werden, den Ölabscheider zu isolieren. Beim Anlauf des Verdichters sollte die Öltemperatur, unter dem Ölschauglas gemessen, 15 .. 20 K über der Umgebungstemperatur liegen.

- Automatische Sequenzumschaltung bei Anlagen mit mehreren Kältemittelkreisläufen (etwa alle 2 Stunden).
 - Zusätzliches Rückschlagventil in die Druckgasleitung einbauen, falls auch über lange Stillstandszeiten kein Temperatur- und Druckausgleich erreicht wird.
 - Ggf. zeit- und druckabhängig gesteuerte Abpumpumschaltung oder saugseitige Flüssigkeitsabscheider einbauen – insbesondere bei großen Kältemittelfüllmengen und/oder wenn der Verdampfer wärmer werden kann als die Sauggasleitung oder der Verdichter.
- Weitere Hinweise auch zur Rohrverlegung siehe Handbuch SH-170.

Information
Bei Kältemitteln mit niedrigem Isentropenexponent (z. B. R134a) kann sich ein Wärmeübertrager zwischen Sauggas- und Flüssigkeitsleitung positiv auf Betriebsweise und Leistungszahl der Anlage auswirken.
Temperaturfühler des Expansionsventils wie oben beschrieben anordnen.

7 Betrieb

7.1 Regelmäßige Prüfungen

Anlage entsprechend den nationalen Vorschriften regelmäßig prüfen. Dabei folgende Punkte kontrollieren:

- Betriebsdaten, siehe Kapitel Verdichteranlauf, Seite 43.
- Aufgezeichnete Daten aus FU-Steuerung auslesen.
- Ölversorgung, siehe Kapitel Verdichteranlauf, Seite 43.
- Schutzeinrichtungen und alle Teile zur Überwachung des Verdichters (Rückschlagventile, Druckgastemperaturwächter, Öldifferenzdruckschalter, Druckwächter etc.).
- Elektrische Kabelverbindungen und Verschraubungen auf festen Sitz prüfen.
- Schraubenanzugsmomente siehe SW-100.
- Kältemittelfüllung prüfen.
- Dichtheitsprüfung.
- Anlage erneut im gesamten Drehzahlbereich auf abnormale Schwingungen prüfen.
- Datenprotokoll pflegen.

7.2 Kondenswasser

Bei Anwendungen mit hoher Luftfeuchtigkeit, geringer Saugasüberhitzung und/oder unzureichender Abdichtung der Kabeldurchführungen kann sich Kondenswasser im FU-Gehäuse bilden. Für diesen Fall besteht die Möglichkeit das Kondenswasser abzuleiten, indem die Ablasstopfen entfernt werden.

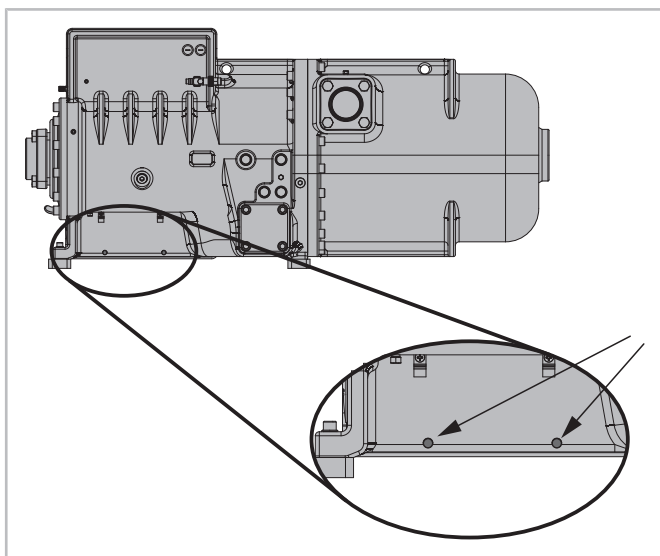


Abb. 13: Ablasstopfen für Kondenswasser am FU-Gehäuse

Wenn die Ablasstopfen entfernt sind, sinkt die Schutzart des FU-Gehäuses von IP54 auf IP22.

8 Wartung

Begleitdokumentation der neuen Bauteile beachten!

8.1 Ölwechsel



HINWEIS

Verdichterschaden durch zersetztes Esteröl. Feuchtigkeit wird im Esteröl chemisch gebunden und kann durch Evakuieren nicht entfernt werden.

Äußerst sorgsamer Umgang erforderlich: Lufteintritt in Anlage und Ölgebinde vermeiden. Nur originalverschlossene Ölgebinde verwenden!

Die aufgeführten Öle, siehe Kapitel Anwendungsbereiche, Seite 36, zeichnen sich durch einen besonders hohen Grad an Stabilität aus. Bei ordnungsgemäßer Montage bzw. Einsatz von saugseitigen Feinfiltern erübrigt sich deshalb im Regelfall ein Ölwechsel. Bei Verdichter- oder Motorschaden generell Säuretest durchführen. Bei Bedarf Reinigungsmaßnahmen treffen: Säurebindenden Saugleitungsfilter (bidirektional) einbauen und Öl wechseln. Anlage druckseitig an der höchsten Stelle in Recyclingbehälter entlüften. Nach einigen Betriebsstunden ggf. Filter und Öl erneut wechseln sowie Anlage entlüften.

Öl wechseln

Wenn ein Ölwechsel notwendig ist, empfiehlt es sich auch den integrierten Ölfilter zu wechseln, siehe unten.



WARNUNG

Verdichter steht unter Druck!
Schwere Verletzungen möglich.
Verdichter auf drucklosen Zustand bringen!
Schutzbrille tragen!



- Das Öl aus Verdichter- und Motorgehäuse ablassen. Ölablasspositionen am Verdichter sind die Anschlusspositionen 5 und 6, siehe Kapitel Anschlüsse und Maßzeichnungen, Seite 36.
- Neues Öl einfüllen.
- Altöl umweltgerecht entsorgen.

8.2 Ölfilter wechseln

- Neuen Ölfilter bereitlegen.

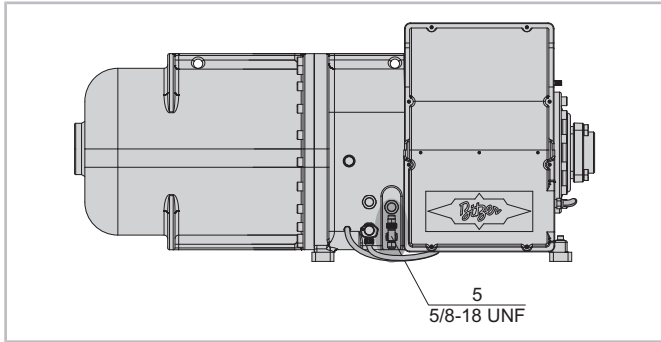


Abb. 14: Öl ablassen am Ölventil für die Wartung (5)

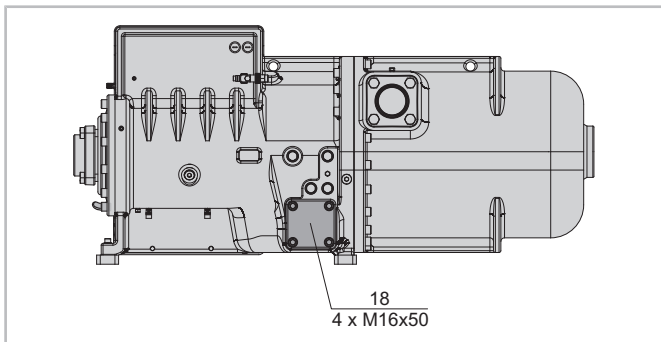


Abb. 15: Ölfilterflansch (18)

- Flache Wanne unter dem Ölventil für die Wartung (5) und dem Ölfilterflansch (18) platzieren.
- Öl ablassen und umweltgerecht entsorgen.
- Rechteckflansch des Ölfilters öffnen und nach vorne abziehen.
Der integrierte Ölfilter ist auf der Rückseite des Flansches montiert.
- Ölfilter vom Flansch abschrauben.
- Neuen Ölfilter auf den Flansch montieren.
- O-Ring an der Bohrung auf der Oberseite des Flansches austauschen.
- Flansch mit neuem Ölfilter und neuer Flachdichtung wieder einbauen. Dabei die Bohrung mit O-Ring nach oben orientieren. Schrauben: M16x50



HINWEIS

Beschädigungen des Verdichters möglich. Schrauben und Muttern nur mit vorgeschriebenem Anzugsmoment und wo möglich, über Kreuz in mindestens 2 Schritten anziehen.

- Neues Öl einfüllen.
- Vor Inbetriebnahme Dichtheit prüfen.

8.3 Integriertes Druckentlastungsventil

Das Ventil ist wartungsfrei. Es hat eine Ansprechdruckdifferenz von 21 bar.

Allerdings kann es nach wiederholtem Abblasen auf Grund abnormaler Betriebsbedingungen zu permanenter Leckage kommen. Folgen sind Minderleistung und erhöhte Druckgastemperatur.

8.4 Integriertes Rückschlagventil

Nach dem Abschalten läuft der Verdichter kurzzeitig rückwärts (ca. 5 s, bis zum Druckausgleich im Ölabscheider). Bei Defekt oder Verschmutzung des Rückschlagventils verlängert sich dieser Zeitraum. Dann muss das Ventil ausgetauscht werden.

Austausch des integrierten Rückschlagventils



WARNUNG

Verdichter steht unter Druck!
Schwere Verletzungen möglich.
Verdichter auf drucklosen Zustand bringen!
Schutzbrille tragen!

- Druckabsperrentil bzw. Rohranschluss entfernen. Darunter befindet sich das Rückschlagventil.
- Rückschlagventil und beide Dichtungen austauschen.
- Druckabsperrentil oder Rohranschluss sorgfältig montieren.

Falls Absperrventile gedreht oder neu montiert werden:



HINWEIS

Beschädigungen des Verdichters möglich. Schrauben mit vorgeschriebenem Anzugsmoment über Kreuz in mindestens 2 Schritten anziehen.

Vor Inbetriebnahme Dichtheit prüfen!

9 Außer Betrieb nehmen

9.1 Stillstand

Bis zur Demontage Verdichter auch bei Stillstand mit Spannung versorgen, damit die Ölheizung in Betrieb bleibt. Das verhindert erhöhte Kältemittelanreicherung im Öl.

Wenn ein längerer Stillstand ohne Spannungsversorgung geplant ist: Absperrventile schließen.



WARNUNG

Gefahr von Kältemittelausdampfung aus dem Öl.



Je nach Kältemittel erhöhtes Risiko durch Entflammbarkeit!

Stillgelegte Verdichter oder Gebrauchtöl können noch relativ hohe Anteile an gelöstem Kältemittel enthalten.

Absperrventile am Verdichter schließen und Kältemittel absaugen!

9.2 Verdichter demontieren



GEFAHR

Lebensgefährliche Spannungen im FU-Gehäuse!



Berühren kann zu schweren Verletzungen oder Tod führen.

FU-Gehäuse niemals im Betrieb öffnen!

Hauptschalter ausschalten und gegen Wiedereinschalten sichern.

Mindestens 5 Minuten warten bis alle Kondensatoren entladen sind!

Vor Wiedereinschalten FU-Gehäuse verschließen.

- Verdichter von der Spannungsversorgung trennen.



WARNUNG

Verdichter steht unter Druck!

Schwere Verletzungen möglich.



Verdichter auf drucklosen Zustand bringen!

Schutzbrille tragen!

- Absperrventile am Verdichter schließen.
- Kältemittel absaugen. Kältemittel nicht abblasen, sondern umweltgerecht entsorgen!
- Verschraubungen oder Flansche an den Verdichterventilen lösen.
- Verdichter ggf. mit Hebezeug aus der Anlage ausbauen, siehe Kapitel Verdichter transportieren, Seite 30.

9.3 Verdichter entsorgen

Öl am Verdichter ablassen. Altöl umweltgerecht entsorgen! Verdichter reparieren lassen oder umweltgerecht entsorgen!

Bei Rücksendungen von Verdichtern, die mit brennbarem Kältemittel betrieben wurden, den Verdichter mit dem Symbol "Vorsicht brennbares Gas" kennzeichnen, da im Öl noch Kältemittel enthalten sein kann.

Sommaire

1	Introduction	50
1.1	Tenir également compte de la documentation technique suivante.....	50
2	Sécurité	50
2.1	Personnel spécialisé autorisé.....	50
2.2	Dangers résiduels.....	50
2.3	Indications de sécurité.....	50
2.3.1	Indications de sécurité générales	50
3	Champs d'application	51
3.1	Utilisation de fluides frigorigènes combustibles de catégorie de sécurité A2L (par exemple : R1234yf).....	52
3.1.1	Exigences relatives au compresseur et à l'installation frigorifique.....	52
3.1.2	Exigences générales relatives à l'opération.....	53
4	Montage	53
4.1	Transporter le compresseur.....	53
4.2	Mise en place du compresseur	54
4.2.1	Prévoir des espaces pour retrait de l'élément.....	54
4.2.2	Amortisseurs de vibrations.....	55
4.3	Raccordements de tuyauterie.....	55
4.3.1	Raccordements de tuyauterie	55
4.3.2	Vannes d'arrêt.....	55
4.3.3	Conduites.....	56
4.3.4	Conduites pour le refroidissement du CF, ECO (économiseur) et LI (injection de liquide).....	56
4.4	Raccords d'huile	58
4.5	Régulation de puissance, démarrage à vide et régulation V_i	58
4.6	Raccords et croquis cotés	59
5	Raccordement électrique	63
5.1	Essai de haute tension (test de résistance d'isolation).....	63
5.2	Dispositifs de protection.....	64
5.2.1	Interrupteurs pression (HP + LP)	64
5.2.2	Capteurs intégrés.....	64
5.2.3	Réchauffeur d'huile	64
5.2.4	Isoler le séparateur d'huile.....	64
6	Mettre en service	65
6.1	Contrôler la résistance à la pression	65
6.2	Contrôler l'étanchéité.....	65
6.3	Mettre sous vide	65
6.4	Remplir de fluide frigorigène.....	65
6.5	Contrôler avant le démarrage du compresseur	66
6.6	Démarrage du compresseur.....	66
6.6.1	Lubrification / contrôle de l'huile.....	66
6.6.2	Régler les limiteurs de haute et basse pression (HP + LP)	67
6.6.3	Régler la pression du condenseur	67
6.6.4	Contrôler les caractéristiques de fonctionnement.....	67
6.6.5	Période de temps entre deux démarrages du compresseur (fréquence d'enclenchements)	67
6.6.6	Vibrations et fréquences	67

6.6.7	Remarques particulières pour le fonctionnement sûr du compresseur et de l'installation	68
7	Fonctionnement	68
7.1	Contrôles réguliers.....	68
7.2	Eau condensée.....	69
8	Maintenance	69
8.1	Remplacement de l'huile	69
8.2	Remplacer le filtre à huile	70
8.3	Soupape de décharge incorporée	70
8.4	Clapet de retenue incorporé	70
9	Mettre hors service	71
9.1	Arrêt	71
9.2	Démonter le compresseur	71
9.3	Éliminer le compresseur	71

1 Introduction

Ces compresseurs frigorifiques sont prévus pour un montage dans des installations frigorifiques conformément à la Directive Machines 2006/42/CE. Ils ne peuvent être mis en service qu'une fois installés dans lesdites installations frigorifiques conformément aux présentes instructions de service et de montage et que si la machine complète répond aux réglementations en vigueur (pour les normes appliquées, se reporter à la déclaration d'incorporation).

Les compresseurs ont été conçus selon l'état actuel de la technique et satisfont aux réglementations en vigueur. La sécurité des utilisateurs a été particulièrement prise en considération.

Veillez maintenir ces instructions de service à disposition à proximité immédiate de l'installation frigorifique durant toute la durée de vie du compresseur.

1.1 Tenir également compte de la documentation technique suivante

ST-160 : Commande des compresseurs à vis compacts avec convertisseur de fréquences intégré

SW-100 : Couples de serrage pour les assemblages vissés.

SW-170 : Intervalles de contrôle et de remplacement pour les compresseurs à vis compacts.

2 Sécurité

2.1 Personnel spécialisé autorisé

Seul un personnel spécialisé ayant été formé et initié est autorisé à effectuer des travaux sur les compresseurs et installations frigorifiques. Les qualifications et compétences des personnels spécialisés sont décrites dans les réglementations et directives nationales.

2.2 Dangers résiduels

Des dangers résiduels inévitables sont susceptibles d'être causés par le compresseur. Toute personne travaillant sur cet appareil doit donc lire attentivement ces instructions de service !

Doivent être absolument prises en compte :

- les prescriptions et normes de sécurité applicables (p. ex. EN378, EN60204 et EN60335),
- les règles de sécurité généralement admises,
- les directives européennes,

- les réglementations nationales.

2.3 Indications de sécurité

sont des instructions pour éviter de vous mettre en danger . Respecter avec soins les indications de sécurité !



AVIS

Indication de sécurité pour éviter une situation qui peut endommager un dispositif ou son équipement .



ATTENTION

Indication de sécurité pour éviter une situation potentiellement dangereuse qui peut provoquer des lésions mineures ou modérées .



AVERTISSEMENT

Indication de sécurité pour éviter une situation potentiellement dangereuse qui peut entraîner la mort ou des blessures graves.



DANGER

Indication de sécurité pour éviter une situation immédiatement dangereuse qui peut provoquer la mort ou des blessures graves .

2.3.1 Indications de sécurité générales

État à la livraison



ATTENTION

Le compresseur est rempli de gaz de protection : Surpression 0,2 .. 0,5 bar.



Risque de blessure au niveau de la peau et des yeux.

Évacuer la pression du compresseur !
Porter des lunettes de protection !

Pour les travaux sur le compresseur après sa mise en service



AVERTISSEMENT

Le compresseur est sous pression !
Risque de blessures graves.



Évacuer la pression du compresseur !
Porter des lunettes de protection !

ATTENTION
 Les températures de surface peuvent dépasser 60°C ou passer en dessous de 0°C.
 Risque de brûlures ou de gelures.
 Fermer et signaler les endroits accessibles.
 Avant tout travail sur le compresseur : mettre hors circuit ce dernier et le laisser refroidir.

Lors des travaux sur le système électrique et sur le convertisseur de fréquences (CF)

DANGER
 Tensions très dangereuses à l'intérieur du corps du CF !
 Tout contact peut provoquer des blessures graves ou la mort.
 Ne jamais ouvrir le corps du CF en cours de fonctionnement !
 Mettre l'interrupteur principal hors circuit et le sécuriser contre toute remise en marche !
 Attendre au moins 5 minutes jusqu'à ce que tous les condensateurs soient déchargés !
 Avant la remise en marche, refermer le corps du CF.

L'interrupteur principal doit être désactivé lors de tout travail dans le corps du CF. Cela vaut également lorsque le compresseur est arrêté par la fonction « désactivation sûre du couple » (STO) ou « mise à l'arrêt du moteur ». Le CF reste sous tension !

AVIS
 Risque d'endommagement ou de défaillance du CF dû à une trop grande tension !
 N'appliquer aucune tension aux réglettes de bornes X02 à X06 de la carte de commande, même pas pour tester !
 N'appliquer qu'une basse tension de protection (PELV) aux autres bornes de la carte de commande et la carte d'extension.

La tension d'alimentation des dispositifs périphériques (230 V ou 115 V) est raccordée aux bornes CN1, CN2, CN4, CN5, CN6 et CN9 de la carte d'extension.

Ne jamais mettre sous tension les sorties de tension, même pas pour le contrôle !

Pour tous les types CSV...MY observer également :

AVERTISSEMENT
 Champ magnétique très puissant !
 Tenir les objets magnétiques et magnétisables loin du compresseur !
 Personnes portant un pacemaker, des défibrillateurs implantés ou des implants métalliques : respecter une distance minimale de 30 cm !

Les types CSV...MY sont équipés d'un moteur à aimant permanent. Les aimants génèrent un champ magnétique non négligeable. Ces compresseurs portent ces plaques d'avertissement :



Fig. 1: Plaques d'avertissement et d'interdiction apposées sur le compresseur

3 Champs d'application

Fluides frigorigènes admissibles	R134a, R450A, R513A, R1234yf, R1234ze(E)
Charge d'huile	CSVH : BSE170 CSVW : BSE170L
Limites d'application	Se reporter au prospectus SP-160 et à BITZER SOFTWARE version 6.8 ou supérieure,

Tab. 1: Champs d'application des compresseurs CSV.

AVERTISSEMENT
 L'utilisation de fluides frigorigènes non conformes est susceptible de faire éclater le compresseur !
 Risque de blessures graves !
 N'utiliser que les fluides frigorigènes vendus par des constructeurs renommés et des partenaires commerciaux sérieux !

Risque d'introduction d'air lorsque l'appareil fonctionne sous pression subatmosphérique

AVIS
 Risque de réactions chimiques, de pression de condensation excessive et d'augmentation de la température du gaz de refoulement.
 Éviter toute introduction d'air !

AVERTISSEMENT
 Risque de décalage critique de la limite d'inflammabilité du fluide frigorigène.
 Éviter toute introduction d'air !

3.1 Utilisation de fluides frigorigènes combustibles de catégorie de sécurité A2L (par exemple : R1234yf)

Information

Les données de ce chapitre relatives à l'utilisation de fluides frigorigènes de la catégorie de sécurité A2L se basent sur les prescriptions et directives européennes. En dehors de l'Union européenne, se conformer à la réglementation locale.

Ce chapitre décrit et explique les risques résiduels existant au niveau du compresseur lors de l'utilisation de fluides frigorigènes de la catégorie de sécurité A2L. Ces informations permettent au fabricant de réaliser l'évaluation des risques de l'installation. Ces informations ne peuvent en aucun cas remplacer ladite évaluation.

Lors de la réalisation, la maintenance et l'opération d'installations frigorifiques fonctionnant avec des fluides frigorigènes combustibles de la catégorie de sécurité A2L, il est impératif de respecter des règles de sécurité particulières.

S'ils sont installés conformément aux présentes instructions de service, opérés en mode normal et exempts de dysfonctionnements, les compresseurs sont dépourvus de sources d'inflammation susceptibles d'enflammer les fluides frigorigènes combustibles R1234yf et R1234ze(E). Ils sont considérés comme techniquement étanches. Aucune évaluation de sources d'inflammation n'a été réalisée pour les autres fluides frigorigènes de la catégorie de sécurité A2L.

Information

En cas d'utilisation d'un fluide frigorigène inflammable :



Apposer de façon bien visible sur le compresseur l'avertissement « Attention : substances inflammables » (W021 selon ISO7010). Un autocollant avec cet avertissement est joint aux instructions de service.

La combustion de fluides frigorigènes dans le corps du CF ne peut avoir lieu que si plusieurs défaillances extrêmement rares surviennent en même temps. La probabilité que cela arrive est extrêmement faible. Lors de la combustion de fluides frigorigènes fluorés dans le corps du CF, des quantités dangereuses de gaz toxiques peuvent être libérées.



DANGER

Gaz d'échappement et résidus de combustion susceptibles d'entraîner la mort !



Bien ventiler la salle de machines au moins 2 heures.

Ne surtout pas inhaler les produits de combustion !

Utiliser des gants appropriés résistant à l'acide.

Le fluide frigorigène ne peut s'enflammer dans le CF qu'en cas d'une défaillance électrique grave. En général, le fusible de sécurité de la conduite d'alimentation en tension de puissance du CF est déclenché.

Lorsque le capteur d'alerte de gaz s'est déclenché ou qu'il y a un soupçon de combustion de fluide frigorigène : Ne pas pénétrer sur le lieu d'emplacement et bien ventiler pendant au moins 2 heures. Ne surtout pas inhaler les produits de combustion. L'air vicié éventuellement toxique et corrosif doit être évacué à l'extérieur.

Ne pénétrer sur le lieu d'emplacement que lorsque les gaz de combustion sont entièrement évacués. Commencer alors par entrouvrir le corps du CF pour pouvoir évacuer les gaz qui s'y trouvent :

- Utiliser des gants appropriés résistants à l'acide.
- Ne pas toucher les produits de combustion.
- Retirer prudemment les vis du corps du CF.
- Tirer légèrement vers l'avant le couvercle du corps du CF pour générer une fente d'environ 1 cm.
- Quitter immédiatement le lieu d'emplacement et ventiler pendant au moins 3 heures supplémentaires.

Ne pas toucher aux résidus humides, mais les laisser sécher, car ils peuvent contenir des matières toxiques dissoutes. Faire nettoyer les pièces touchées par un personnel spécialisé dûment formé ; en cas de corrosion, éliminer les pièces concernées dans le respect des règles.

3.1.1 Exigences relatives au compresseur et à l'installation frigorifique

Les dispositions de fabrication sont déterminées par des normes (par exemple : EN378). En raison des exigences élevées et de la responsabilité du fabricant, il est généralement conseillé d'effectuer une évaluation des risques en collaboration avec un organisme notifié. Selon la version et la charge de fluide frigorigène, une évaluation selon les directives cadre européennes 2014/34/UE et 1999/92/CE (ATEX 137) peut être nécessaire.



DANGER

Risque d'incendie en cas de sortie du fluide frigorigène à proximité d'une source d'inflammation !



Éviter toute flamme nue ou source d'inflammation dans la salle des machines ou la zone de danger !

- Prendre en compte la limite d'inflammabilité à l'air libre du fluide frigorigène concerné, se reporter également à la norme EN378-1.
- Ventiler la salle des machines conformément à la norme EN378 ou installer un dispositif d'aspiration.
- Pour ouvrir des conduites, n'utiliser que des coupe-tubes, jamais de flamme nue !
- N'installer les composants desquels le fluide frigorigène est susceptible de fuir (par ex. limiteur de basse ou haute pression ou pressostat pour protection de basse ou haute pression) qu'à l'extérieur de l'armoire électrique !

Si les prescriptions de sécurité et adaptations suivantes sont respectées, les compresseurs standard peuvent être utilisés avec des fluides frigorigènes mentionnés de la catégorie de sécurité A2L.

- Tenir compte de la charge maximale de liquide frigorigène en fonction du lieu et de la zone d'installation ! Se reporter à la norme EN378-1 et aux réglementations locales.
- Ne pas utiliser la machine en pression subatmosphérique ! Installer des dispositifs de sécurité offrant une protection contre les pressions trop basses ou trop élevées et les utiliser conformément aux dispositions de sécurité applicables (par exemple EN378-2).
- Éviter l'introduction d'air dans l'installation – y compris pendant et après les travaux de maintenance !

3.1.2 Exigences générales relatives à l'opération

L'opération de l'installation et la protection des personnes sont généralement concernées par les réglementations relatives à la sécurité des produits, à la sécurité de fonctionnement et à la protection contre les accidents. Le fabricant de l'installation et l'exploitant doivent conclure des accords spécifiques à ce sujet. L'évaluation des risques, nécessaire pour installer et opérer l'installation, doit être réalisée par l'utilisateur final ou son employeur. Il est recommandé de collaborer à ce sujet avec un organisme notifié.

- Pour ouvrir des conduites, n'utiliser que des coupe-tubes, jamais de flamme nue.

4 Montage

4.1 Transporter le compresseur

Transporter le compresseur vissé à la palette ou le soulever au moyen d'œilletons de suspension.



DANGER

Charge suspendue !

Ne pas passer en dessous de la machine !



AVIS

En cas de coup puissant ou de pression importante, le corps du CF peut se briser.

Manipuler le corps du CF avec précaution.

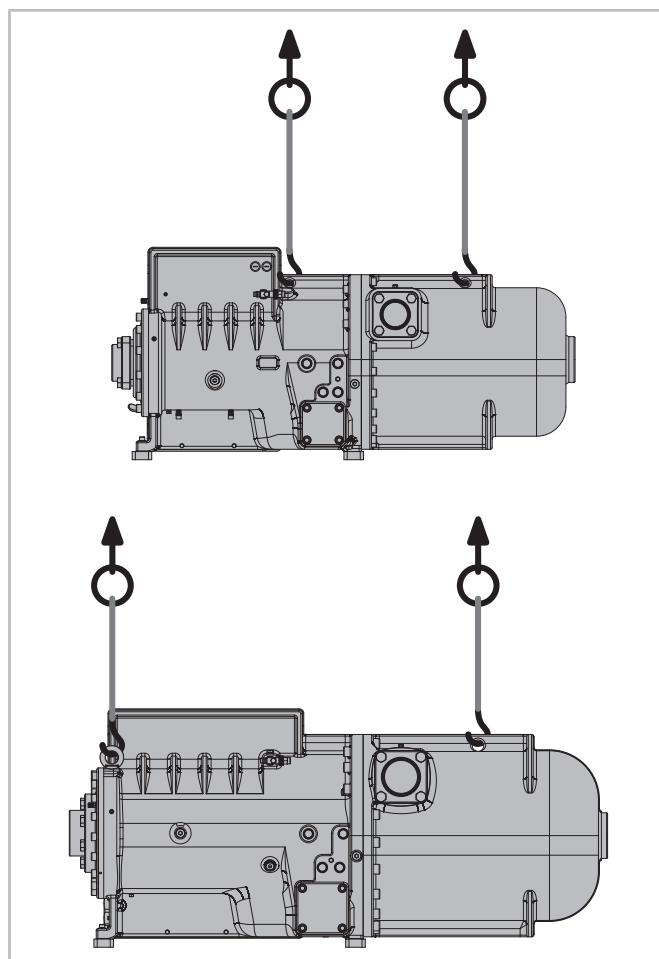


Fig. 2: Soulever le compresseur CSV. ; en haut : CSV.2 ; en bas : CSV.3

Poids et centres de gravité

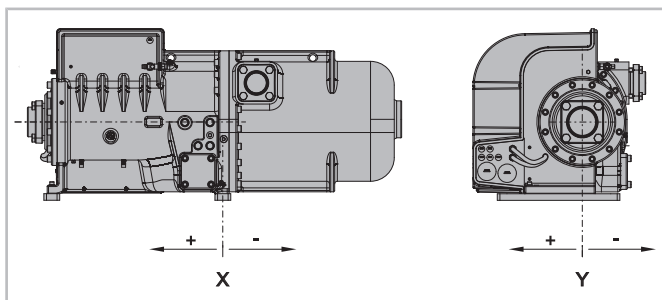


Fig. 3: Points de repère pour centres de gravité

- ① : sans vanne d'arrêt du gaz de refoulement et d'aspiration
- ② : avec vanne d'arrêt du gaz d'aspiration
- ③ : avec vanne d'arrêt du gaz de refoulement et d'aspiration

Compres- seur	Poids en kg			Écart du centre de gravité en mm		
	①	②	③	X ①	X ②	Y
CSV.24	740	760	770	+92	+150	+30
CSV.25	750	770	780	+92	+150	+30
CSV.26	760	780	790	+92	+150	+30
CSV.37	1140	1190	1210	+150	+165	+22
CSV.38	1150	1200	1220	+150	+165	+22

Tab. 2: Poids et centres de gravité du compresseur CSV.

4.2 Mise en place du compresseur

Monter le compresseur à l'horizontale, de préférence directement sur un cadre de base, en aucun cas sur un échangeur de chaleur multitubulaire.

Ne pas l'installer au-dessus de 2 000 mètres d'altitude ni dans des conditions extrêmes (par ex. atmosphère agressive ou températures extérieures basses).

Conditions pour le convertisseur de fréquences (CF) : voir ST-160, chapitre Caractéristiques techniques.

Application maritime

Monter le compresseur parallèlement à l'axe longitudinal du bateau et

- soit horizontalement par rapport au niveau d'eau
- soit penché de 10° dans la direction longitudinale du compresseur, avec le moteur vers le bas
Prérequis : Le niveau d'huile reste dans la zone du voyant supérieur quand l'appareil est en fonctionnement. Cela est indiqué dans la figure suivante par un large trait gris.

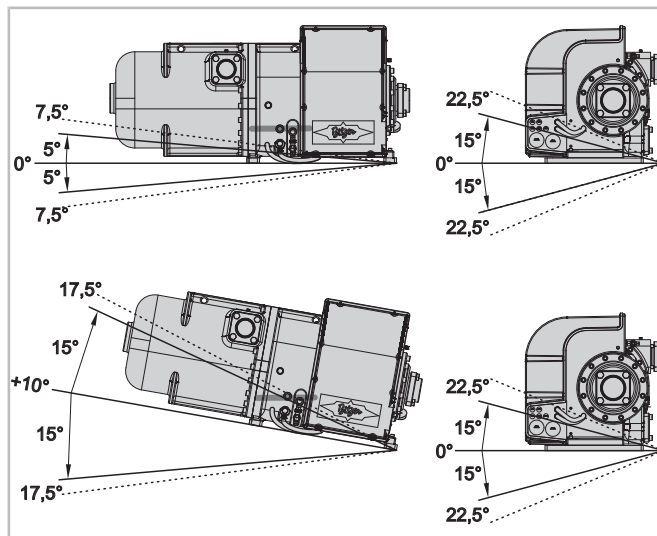


Fig. 4: angles d'inclinaison admissibles du bateau à l'exemple du CSVH2

Installa- tion	Inclinaison en direc- tion longitudinale		Inclinaison en direc- tion transversale	
	statische	dyna- mique	statische	dyna- mique
horizon- tale	±5°	±7,5°	±15°	±22,5°
inclinée de +10°	±15°	±17,5°	±15°	±22,5°

Tab. 3: angles d'inclinaison maximales du bateau

4.2.1 Prévoir des espaces pour retrait de l'élément

Lors de l'intégration du compresseur dans l'installation, prévoir un espace suffisant pour permettre le retrait de l'élément :

Espace nécessaire pour le couvercle du corps du CF

Les dimensions sont marquées d'un X, voir chapitre Raccords et croquis cotés, page 59. Le couvercle est très serré, il faut donc prévoir un espace de travail largement suffisant.

Encombrement du filtre à huile

Au moins 300 mm devant la bride rectangulaire, position de raccordement 18, voir chapitre Raccords et croquis cotés, page 59.

4.2.2 Amortisseurs de vibrations

Les compresseurs peuvent être montés solidement. Afin de réduire le son de structure, il est cependant recommandé d'utiliser des amortisseurs de vibrations spécifiquement adaptés (option).

Monter les amortisseurs de vibrations

Voir la figure suivante. Serrer les vis jusqu'à ce qu'une légère déformation de la rondelle supérieure en caoutchouc apparaisse.

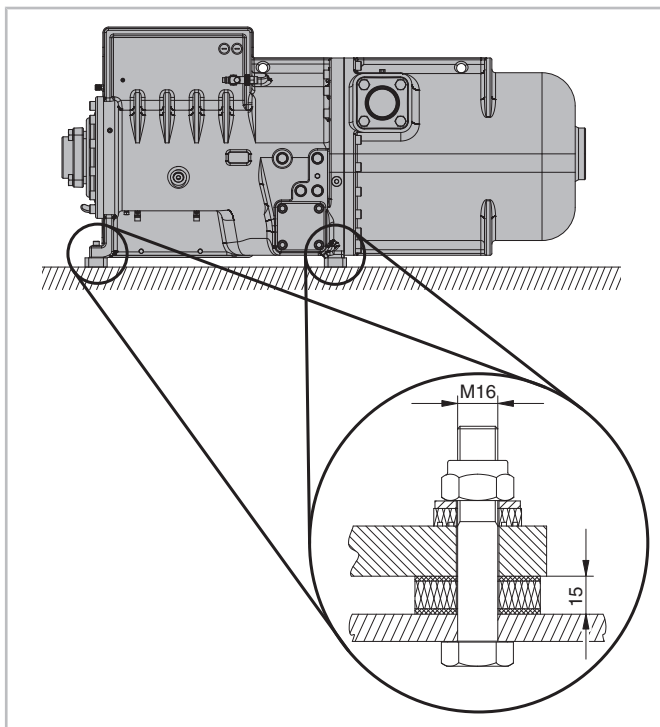


Fig. 5: Amortisseurs de vibrations

4.3 Raccordements de tuyauterie



AVERTISSEMENT

Le compresseur est sous pression !
Risque de blessures graves.
Évacuer la pression du compresseur !
Porter des lunettes de protection !



AVIS

Risque de réactions chimiques en cas d'introduction d'air !
Travailler rapidement et maintenir les vannes d'arrêt fermées jusqu'à la mise sous vide.

4.3.1 Raccordements de tuyauterie

Les raccordements sont exécutés de façon à ce que les tubes usuels en millimètres et en pouces puissent être utilisés. Les raccords à braser ont plusieurs diamètres successifs. Suivant la section, le tube sera inséré plus ou moins profond - dément. Si nécessaire, l'extrémité avec le plus grand diamètre peut être sciée.

4.3.2 Vannes d'arrêt



ATTENTION

En fonction de l'utilisation, les vannes d'arrêt sont susceptibles d'être très froides ou très chaudes.



Risque de brûlure ou de gelure !
Porter une protection appropriée !



AVIS

Ne pas surchauffer les vannes d'arrêt !
Refroidir les vannes et l'adaptateur de brasage pendant et après le brasage.
Température de brasage maximale : 700°C !
Pour souder, démonter les raccords de tubes et les douilles.

Si les vannes d'arrêt doivent être tournées ou remon-
tées :



AVIS

Risque d'endommagement du compresseur.
Serrer les vis au couple de serrage prescrit et en croix, en 2 étapes minimum.
Avant la mise en service, essayer l'étanchéité !

Lors du montage ultérieur de la vanne d'arrêt ECO :



Information

Pour augmenter la protection anticorrosion, il est conseillé de peindre la vanne d'arrêt ECO.

4.3.3 Conduites

En règle générale, n'utiliser que des conduites et des composants d'installation qui

- sont propres et secs à l'intérieur (sans calamine, ni copeaux de métal, ni couches de rouille ou de phosphate) et
- qui sont livrés hermétiquement fermés.

Selon la version, les compresseurs sont livrés avec des rondelles de fermeture au niveau des raccords de tube ou des vannes d'arrêt. Avant de contrôler la résistance à la pression et l'étanchéité et de mettre le système en service, il faut retirer ces rondelles.

Information

Les rondelles de fermeture ne sont conçues que comme protection pour le transport. Elles ne sont pas faites pour séparer les différents tronçons de l'installation durant l'essai de résistance à la pression.

Installer les conduites de façon à ce que, quand la machine est à l'arrêt, le compresseur ne puisse pas être inondé par l'huile ou noyé par le fluide frigorigène sous forme liquide. Tenir compte absolument des remarques du manuel SH-170.

Filter de nettoyage et filtre déshydrateur

AVIS

Sur les installations ayant des conduites longues ou lorsque le brasage se fait sans gaz de protection :
Monter un filtre de nettoyage à l'aspiration (taille des mailles < 25 µm).

Un filtre de nettoyage à l'aspiration doit satisfaire aux critères suivants :

- Taille des mailles : 25 µm
- Filtre avec tubes métalliques perforés, intérieur et extérieur
- Adapté pour une opération bidirectionnelle

AVIS

Risque d'endommagement du compresseur !
Étant donné le grand degré de sécheresse et pour permettre une stabilisation chimique du circuit, utiliser des filtres déshydrateurs de grande taille et de qualité appropriée (tamis moléculaires avec taille de pores spécifiquement adaptée).

Raccords additionnels pour la mise sous vide

Pour un débit de mise sous vide maximal, installer des raccords additionnels verrouillables largement dimensionnés côté de refoulement et d'aspiration. Les tronçons verrouillés par les clapets de retenue doivent avoir des raccords séparés.

À prendre en compte pour tous les raccords montés ultérieurement sur le compresseur



AVIS

Risque de fuite !
Vérifier le filetage.
Visser soigneusement l'adaptateur avec le couple de serrage prescrit.
Avant la mise en service, essayer l'étanchéité !

4.3.4 Conduites pour le refroidissement du CF, ECO (économiseur) et LI (injection de liquide)

Monter des filtres fins

Ces raccords conduisent directement dans la zone du compresseur remplie de mécanismes sensibles. Pour cette raison, un filtre doit être monté dans chaque tube si l'installation n'est pas fabriquée en série.

Fixer les tubes de manière suffisante

Un montage incorrect peut provoquer une forte vibration de la tuyauterie.



AVIS

Risque de ruptures par vibration !
Fixer de manière appropriée chaque tuyau.
Contrôler le comportement vibratoire en fonctionnement !

Fixer chaque tuyau au compresseur à l'aide d'un collier froid. Pour ce faire, utiliser les trous de fixation au niveau du compresseur, voir les raccords aux pages suivantes :

14a : Conduite ECO

14b : Conduite de liquide pour le refroidissement du CF (comprise dans la livraison standard) et pour le raccord optionnel de l'injection de liquide LI



AVIS

Risque de fuite !
Vérifier le filetage.
Visser l'adaptateur soigneusement avec le couple de serrage prescrit.
Avant la mise en service, essayer l'étanchéité !

Si la vanne de raccordement est montée ultérieurement ou enlevée lors du montage de la tuyauterie :

AVIS

Risque de fuite !

Vérifier le filetage.

Visser l'adaptateur soigneusement avec le couple de serrage prescrit.

Avant la mise en service, essayer l'étanchéité !

Raccordement au refroidissement du CF

Cette conduite doit impérativement être raccordée. Elle alimente la plaque de refroidissement du convertisseur de fréquences en fluide frigorigène liquide. Commencer par guider la conduite de gaz vers le bas à partir d'un tronçon de conduite horizontal afin de garantir une alimentation en phase liquide et sans bulles. Voir la figure suivante, conduite gris clair. Insérer en outre dans la conduite un voyant et, le cas échéant, un filtre fin.

Raccord pour injection de liquide (LI)

En option, les compresseurs CSVH peuvent être livrés avec un raccord pour injection de liquide (LI). La vanne magnétique LI est câblée et est commandée par le CF. Le tuyau muni dans le compresseur d'une déviation vers l'unité de refroidissement du CF est monté. Voir la figure suivante, conduite gris foncé. Montage ultérieur, voir les instructions de maintenance SW-160. D'autres informations concernant l'injection du liquide de refroidissement et l'exécution d'installation voir dans SH-170.

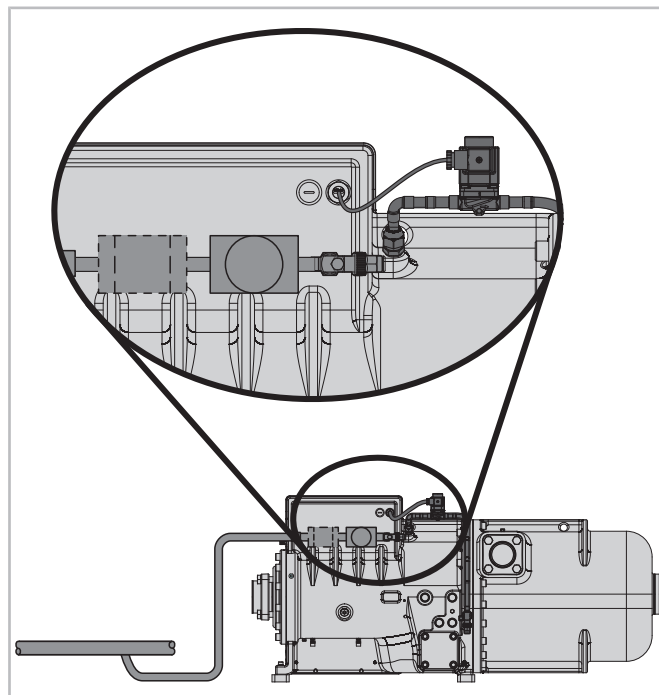


Fig. 6:

Gris clair : tracé de la tuyauterie de l'unité de refroidissement du CF (fluide frigorigène liquide) avec voyant et filtre (filtre en fonction de l'exécution d'installation)

Gris foncé : raccord optionnel pour injection de liquide LI sur le CSVH

Économiseur (ECO)

La version ECO est disponible en option. Elle est livrée sous forme d'un kit complet (vanne, pièce de raccordement, joints, tuyaux et amortisseurs de pulsation, colliers de serrage et schéma de montage).

AVIS

Risque de fuite !

Vérifier le filetage.

Visser l'adaptateur soigneusement avec le couple de serrage prescrit.

Avant la mise en service, essayer l'étanchéité !

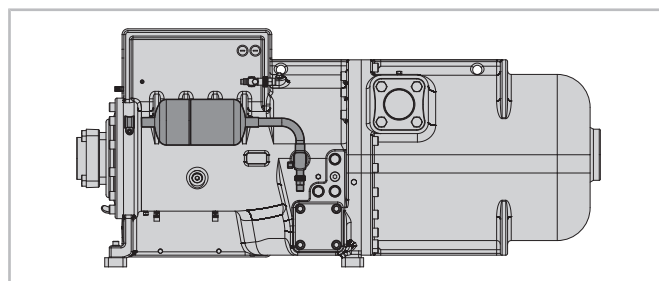


Fig. 7: Kit de montage ECO optionnel

Ne monter ECO qu'une fois le compresseur installé. Diriger la conduite verticalement par le haut vers la vanne ECO. Voir la figure suivante. Cela permet d'éviter une migration de l'huile et un endommagement des compo-

sants causé par des pointes de pression hydrauliques. Utiliser une vanne magnétique dès le début de la conduite ECO pour régler le flux massique de fluide frigorigène amené. Piloter la vanne magnétique au moyen du régulateur d'installation. D'autres informations sur le tracé de la tuyauterie ECO voir dans SH-170.

4.4 Raccords d'huile

À prendre en compte pour tous les raccords montés ultérieurement :



AVIS

Risque de fuite !
Vérifier le filetage.
Visser soigneusement l'adaptateur avec le couple de serrage prescrit.
Avant la mise en service, essayer l'étanchéité !

Raccord du manomètre au niveau de la vanne d'huile pour maintenance

Le raccord du manomètre au niveau de la vanne d'huile pour maintenance est doté d'un chapeau à visser (7/16-20 UNF). Travailler très prudemment lors de toute modification.

CSVH :

Raccorder le refroidisseur d'huile externe

Le refroidisseur d'huile externe permet le fonctionnement même en cas de charge thermique élevée. Pour raccorder le refroidisseur d'huile externe, un jeu d'adaptateurs spécifique est nécessaire. Il verrouille les canaux d'huile internes et garantit un écoulement efficace de l'huile vers le refroidisseur d'huile. Pour le montage, voir la figure suivante.

Pour d'autres remarques relatives au raccordement d'un refroidisseur d'huile externe, se reporter au manuel SH-170.

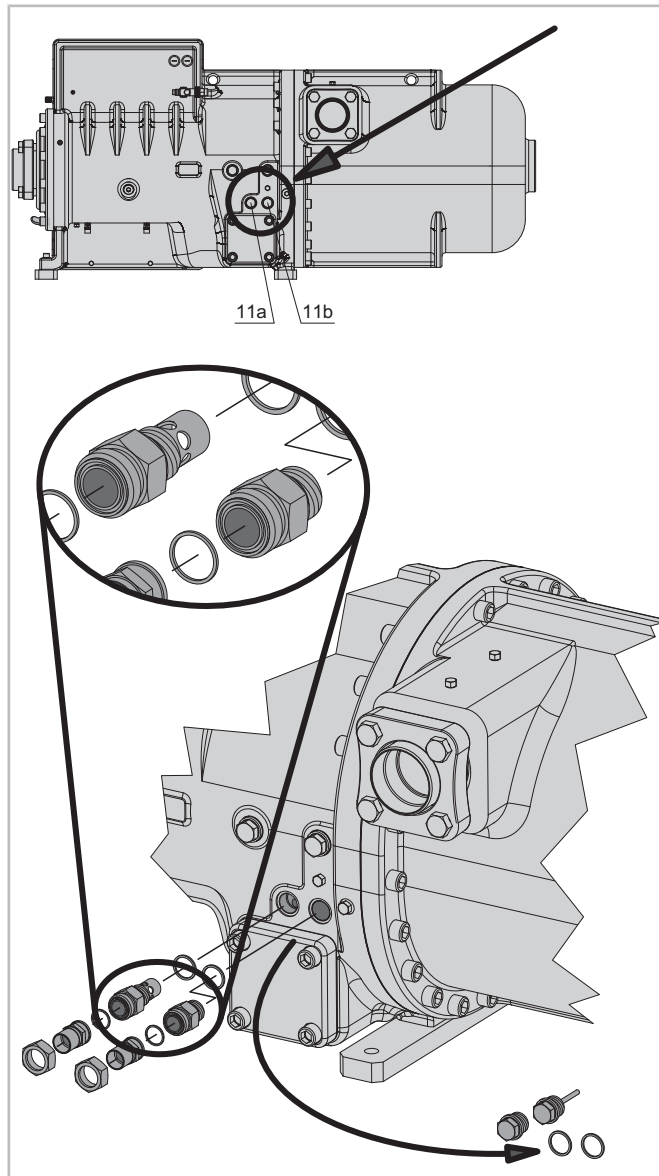


Fig. 8: Jeu d'adaptateurs spécifique pour le raccordement du refroidisseur d'huile externe dans le CSVH2 et le CSVH3

CSVW :

Raccordement pour le retour d'huile et de gaz

Raccordement voir chapitre Raccords et croquis cotés, page 59, position 17.

4.5 Régulation de puissance, démarrage à vide et régulation V_1

Ces fonctions sont exécutées automatiquement par la commande CF.

4.6 Raccords et croquis cotés

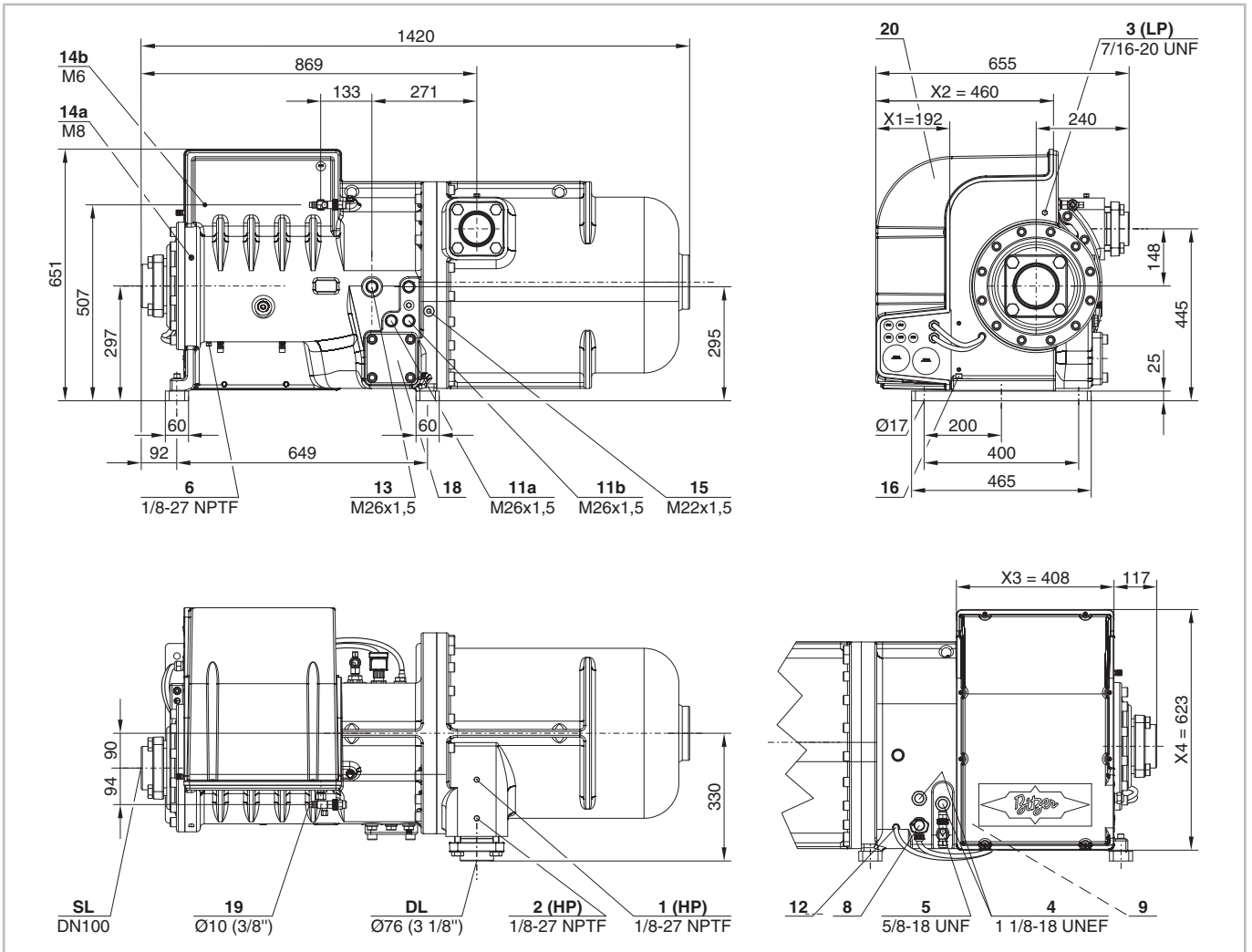


Fig. 9: Croquis coté CSVH2, raccordement alternatif optionnel de gaz d'aspiration : DN125

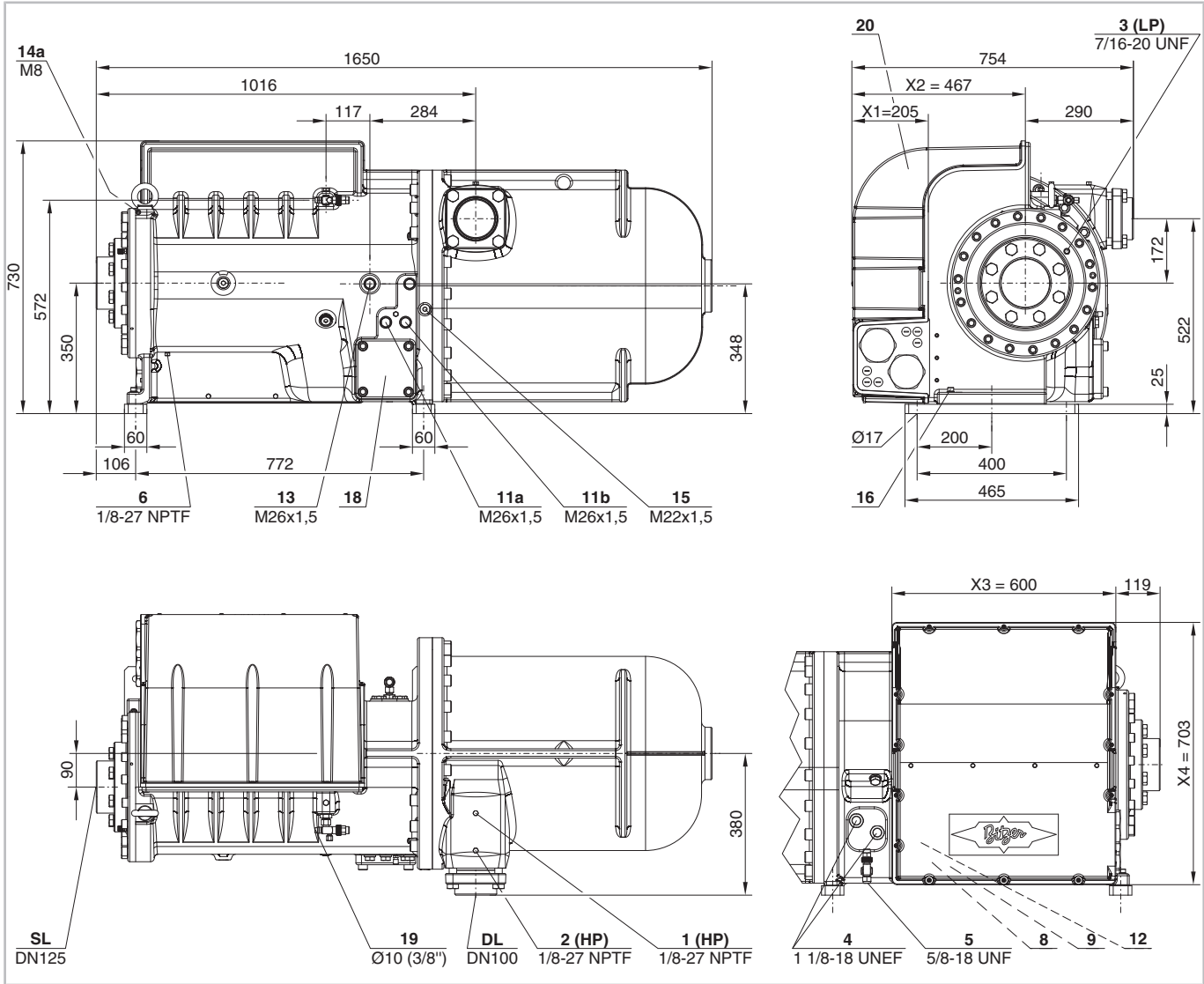


Fig. 10: Croquis coté CSVH3

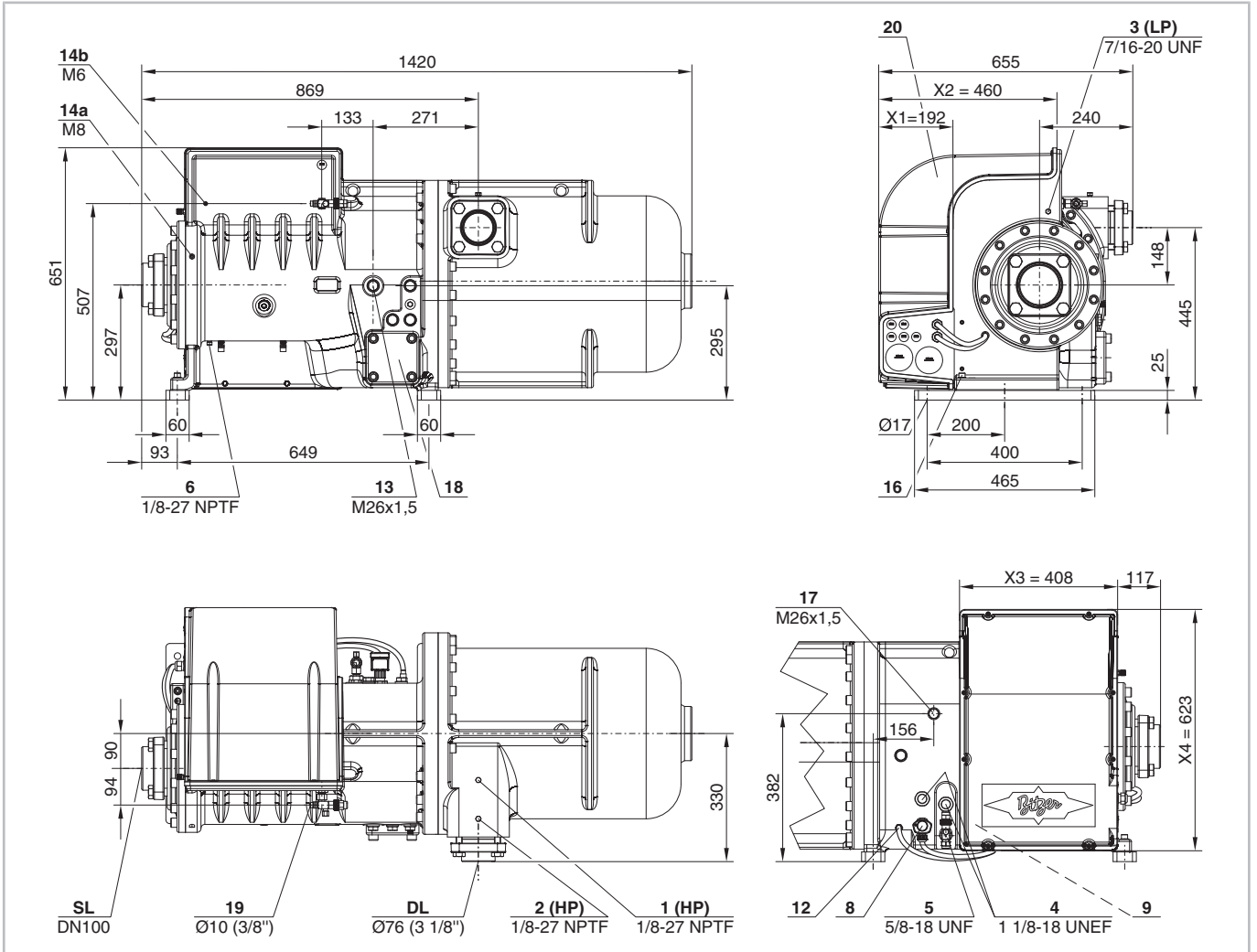


Fig. 11: Croquis coté CSW2, raccordement alternatif optionnel de gaz d'aspiration : DN125

Positions de raccords	
16	Vis de mise à la terre pour corps
17	Raccord pour retour d'huile et de gaz (pour les installations avec évaporateur noyé, adaptateur optionnel)
18	Filtre à huile (raccord de maintenance)
19	Refroidissement CF (liquide réfrigérant)
20	Convertisseur de fréquences (CF)
SL	Conduite du gaz d'aspiration
DL	Conduite du gaz de refoulement

Tab. 4: Positions de raccordement

Les cotes indiquées sont susceptibles de présenter une tolérance selon la norme EN ISO 13920-B.

La légende vaut pour tous les compresseurs CSV. et comprend des positions de raccordement qui ne sont pas disponibles sur toutes les séries de compresseurs.

5 Raccordement électrique



DANGER

Tensions très dangereuses à l'intérieur du corps du CF !



Tout contact peut provoquer des blessures graves ou la mort.

Ne jamais ouvrir le corps du CF en cours de fonctionnement !

Mettre l'interrupteur principal hors circuit et le sécuriser contre toute remise en marche !

Attendre au moins 5 minutes jusqu'à ce que tous les condensateurs soient déchargés !

Avant la remise en marche, refermer le corps du CF.

Le fonctionnement au moyen d'un convertisseur de fréquences (CF) est exécuté conformément à la directive UE relative à la compatibilité électromagnétique 2014/30/UE. Les accessoires électriques satisfont à la directive européenne basse tension 2014/35/UE.

Pour les raccords d'alimentation en tension et de commande CF, voir ST-160. Un schéma de raccordement électrique simple se trouve sur la face interne du couvercle du corps du CF.

Monter le couvercle sur le corps du CF

Le couvercle du corps du CF est très serré. Lors du montage, il faut donc ;

- Enfoncer la rainure périphérique du couvercle dans la position prévue.

- Insérer les vis et les serrer légèrement. Enfoncer en dernier la vis inférieure droite. Si nécessaire, soulever le rebord du couvercle du corps.
- Visser en croix avec le couple prescrit.

Mettre aussi le corps du compresseur à la terre



DANGER

Possibilité de décharge électrostatique avec tension élevée.



Risque de choc électrique !

Mettre aussi le corps du compresseur à la terre !

Raccordement, voir position 16 dans les croquis cotés.

5.1 Essai de haute tension (test de résistance d'isolation)

Le compresseur et le CF ont déjà été soumis avant leur sortie d'usine à un essai de haute tension conformément à la norme EN12693 ou conformément aux normes UL984 ou UL60335-2-34 pour la version UL.



AVIS

Risque d'endommagement de l'isolant et de défaillance du moteur !

Destruction de l'électronique FU possible !

Il ne faut surtout pas répéter l'essai de haute tension de la même manière !

Un nouvel essai de haute tension ne doit être réalisé qu'à une tension continue max. de 1 500 V.

Les travaux préparatoires et l'essai ne doivent être exécutés que par un personnel spécialisé dûment formé !



DANGER

Tensions très dangereuses à l'intérieur du corps du CF !



Tout contact peut provoquer des blessures graves ou la mort.

Ne jamais ouvrir le corps du CF en cours de fonctionnement !

Mettre l'interrupteur principal hors circuit et le sécuriser contre toute remise en marche !

Attendre au moins 5 minutes jusqu'à ce que tous les condensateurs soient déchargés !

Avant la remise en marche, refermer le corps du CF.

Contrôler le compresseur avec une tension continue réduite :

- Enlever le couvercle du corps du CF.

- Connecter les 3 barres conductrices du moteur (sur la partie supérieure du CF) avec les 3 bornes de raccordement à l'entrée du CF (L1, L2, L3).
- Réaliser l'essai.
- Retirer le câble d'essai et refermer le couvercle du corps du CF.

5.2 Dispositifs de protection

5.2.1 Interrupteurs pression (HP + LP)

Un limiteur de haute pression à la position de raccordement 1 (HP) est nécessaire pour, en plus de contrôler les limites d'application de la commande CF, sécuriser le compresseur de manière à empêcher toute condition de fonctionnement inadmissible de survenir, voir Informations Techniques ST-160, chapitre Interrupteurs pression (F5 et F6).

Un limiteur de basse pression en position de raccordement 3 (LP) n'est pas nécessaire, dépendant des réglementations locales.

Position de raccordement au niveau du compresseur voir chapitre Raccords et croquis cotés, page 59.

Ne raccorder en aucun cas les interrupteurs pression au raccord de maintenance verrouillable de la vanne d'arrêt ! Respecter les réglementations locales.

5.2.2 Capteurs intégrés

La commande CF intègre les capteurs suivants :

- Transmetteur de basse pression
- Transmetteur de haute pression
- Température du moteur (NTC)
- Sonde de température d'huile (NTC)
- Contrôleur de niveau d'huile optoélectronique pour le niveau d'huile minimal (OLC-D1-S)
- Plusieurs capteurs de température pour le contrôle du CF

La commande CF contrôle en outre :

- Fréquence d'enclenchements du compresseur
- Alimentation en tension du CF

La logique de commande analyse les signaux de capteurs et signale toute condition de fonctionnement critique au régulateur d'installation. Elle adapte automatiquement la régulation V_i aux conditions de fonctionnement et allume le réchauffeur d'huile. Toutefois, en cas de survenue de conditions de fonctionnement critiques, la commande CF éteint automatiquement le compres-

seur. Pour plus d'informations, se reporter aux Informations techniques ST-160, chapitre Fonctions de sécurité

5.2.3 Réchauffeur d'huile

Le réchauffeur d'huile se trouve à l'intérieur du corps du CF dans le coin inférieur droit. Il est monté, câblé et intégré en usine à la commande CF. Si nécessaire, la commande active et désactive le réchauffeur d'huile. Un autre chauffage de compresseur est inutile.

5.2.4 Isoler le séparateur d'huile

L'opération à faibles températures ambiantes ou températures élevées côté haute pression pendant les temps d'arrêt (p. ex. pour les pompes à chaleur) nécessite une isolation additionnelle du séparateur d'huile.

6 Mettre en service

Avant de sortir de l'usine, le compresseur est soigneusement séché, son étanchéité contrôlée et il est rempli de gaz de protection (N₂).



DANGER

Danger d'explosion !



Le compresseur ne doit en aucun cas être mis sous pression avec de l'oxygène (O₂) ou d'autres gaz techniques !



AVERTISSEMENT

Danger d'éclatement !

Risque de décalage critique de la limite d'inflammabilité du fluide frigorigène en cas de surpression.

Ne pas mélanger de fluide frigorigène (par ex. en tant qu'indicateur de fuite) au gaz d'essai (N₂ ou air).

Pollution en cas de fuite ou de dégonflement !



AVIS

Danger d'oxydation de l'huile !

Utiliser de préférence du nitrogène déshydraté (N₂) pour contrôler la résistance à la pression et l'étanchéité de l'ensemble de l'installation.

En cas d'utilisation d'air séché : Mettre le compresseur hors-circuit – obligatoirement maintenir les vannes d'arrêt fermées.

6.1 Contrôler la résistance à la pression

Contrôler le circuit frigorifique (groupe assemblé) selon la norme EN378-2 ou toute autre norme de sécurité équivalente également valable. Le compresseur a déjà fait l'objet avant sa sortie d'usine d'un contrôle de sa résistance à la pression. Un simple essai d'étanchéité est donc suffisant, voir chapitre Contrôler l'étanchéité, page 65. Si toutefois, l'ensemble du groupe assemblé doit subir un contrôle de sa résistance à la pression :



DANGER

Danger d'éclatement dû à une trop grande pression !

La pression d'essai ne doit pas dépasser la pression maximale admissible !

Pression d'essai : 1,1 fois la pression de service maximale admissible (voir plaque de désignation). Différencier les côtés de haute et de basse pression !

6.2 Contrôler l'étanchéité

Contrôler l'étanchéité du circuit frigorifique (groupe assemblé) ainsi que de ses parties individuelles selon la norme EN378-2 ou toute autre norme de sécurité équivalente également valable. Pour ce faire, créer de préférence une surpression à l'aide de nitrogène déshydraté.

Tenir compte des pressions d'essai et des indications de sécurité, voir chapitre Contrôler la résistance à la pression, page 65.

6.3 Mettre sous vide

- Ouvrir les vannes d'arrêt et les vannes magnétiques présentes.

- Mettre sous vide l'ensemble de l'installation, y compris le compresseur du côté d'aspiration et du côté haute pression, à l'aide d'une pompe à vide.

Pour une puissance de pompe bloquée, le « vide stable » atteint doit être inférieur à 1,5 mbar.

- Si nécessaire, répéter le processus à plusieurs reprises.



AVIS

Risque de défaut du moteur et du compresseur !

Ne pas démarrer le compresseur à vide !
Ne pas mettre de tension, même pour le contrôle !

6.4 Remplir de fluide frigorigène

N'utiliser que des fluides frigorigènes homologués, se reporter à Champs d'application.



DANGER

Danger d'éclatement des composants et tuyaux dû à une surpression hydraulique pendant le remplissage en phase liquide.

Risque de blessures graves.

Éviter absolument une suralimentation de l'installation avec le fluide frigorigène !



AVERTISSEMENT

L'utilisation de fluides frigorigènes non conformes est susceptible de faire éclater le compresseur !

Risque de blessures graves !

N'utiliser que les fluides frigorigènes vendus par des constructeurs renommés et des partenaires commerciaux sérieux !

AVIS

Risque de fonctionnement en noyé pendant l'alimentation en fluide !

Doser de façon extrêmement précise !

Maintenir la température du gaz de refoulement à au moins 20 K au-dessus de celle de condensation.

- Avant de remplir de fluide frigorigène :
- Mettre l'interrupteur principal (Q1) en circuit. S'assurer que le compresseur n'est pas mis en circuit.
- Le CF est désormais sous tension et le réchauffeur d'huile est actif.
- Contrôler le niveau d'huile dans le compresseur.
- Remplir directement le fluide frigorigène dans le condenseur ou le réservoir ainsi que le cas échéant, pour les installations avec évaporateur noyé, dans l'évaporateur.
- Retirer le mélange du cylindre de remplissage en tant que phase liquide et sans bulles.
- Après la mise en service, il se peut qu'un remplissage complémentaire soit nécessaire : Lorsque le compresseur est en marche, remplir le fluide frigorigène depuis le côté d'aspiration, dans l'idéal via l'entrée de l'évaporateur. Retirer le mélange du cylindre de remplissage en tant que phase liquide et sans bulles.

6.5 Contrôler avant le démarrage du compresseur

- Niveau d'huile (entre le centre du voyant inférieur et la partie supérieure du voyant supérieur)
- Réglage et fonctionnement des dispositifs de protection et de sécurité
- Valeurs de consigne des relais temporisés
- Pression de coupure des limiteurs de haute et basse pression
- Vérifier si les vannes d'arrêt sont ouvertes.

En cas de remplacement du compresseur

Il y a déjà de l'huile dans le circuit. Il peut donc être nécessaire de vider une partie de la charge d'huile.

AVIS

En cas de grandes quantités d'huile dans le circuit frigorifique : Risque de coup de liquide au démarrage du compresseur !

Maintenir le niveau d'huile dans la zone marquée du voyant !

En cas de remplacement d'un compresseur à piston :

- Retirer entièrement l'huile de l'installation. La nouvelle huile n'affiche pas seulement une viscosité plus élevée. C'est une huile ester aux caractéristiques chimiques et physiques différentes.

AVIS

Risque d'endommagement du compresseur !

La nouvelle huile a une importante fonction de nettoyage du circuit frigorifique.

Monter sur le côté d'aspiration un filtre de nettoyage adéquat pour un fonctionnement bidirectionnel !

Taille des mailles : 25 µm

- Monter le filtre métallique perforé intérieur et extérieur pour fonctionnement bidirectionnel.
- Après quelques heures de fonctionnement : Remplacer l'huile et le filtre de nettoyage.
- Le cas échéant, répéter l'opération, voir chapitre Remplacement de l'huile, page 69.

6.6 Démarrage du compresseur

Vous trouverez une description détaillée dans ST-160 au chapitre mise en service rapide.

Contrôle du sens de rotation

Les compresseurs à vis CSV. démarrent automatiquement dans le sens de rotation prescrit. Le contrôle de sens de rotation courant pour les compresseurs à vis n'est pas nécessaire.

10 s de retard de temps

Lors de la mise en circuit du compresseur, la vanne magnétique pour le refroidissement du CF s'ouvre en premier. Le compresseur démarre avec un retard de temps de 10 secondes.

6.6.1 Lubrification / contrôle de l'huile

- Contrôler la lubrification tout de suite après le démarrage du compresseur.

Le niveau d'huile doit être visible dans la zone des deux voyants.

- Contrôler régulièrement le niveau d'huile au cours des premières heures de fonctionnement !

Durant la phase de démarrage, de la mousse d'huile peut se former, mais cela devrait diminuer en conditions de fonctionnement stable. Dans le cas contraire, un haut niveau de liquide dans le gaz d'aspiration est probable.

AVIS

Risque de fonctionnement en noyé !
Maintenir la température du gaz de refoulement largement au-dessus de celle de condensation : au moins 20 K.

AVIS

Risque de défaillance du compresseur par des coups de liquide.
Avant de remplir avec une grande quantité d'huile : contrôler le retour d'huile !

6.6.2 Régler les limiteurs de haute et basse pression (HP + LP)

Effectuer un test pour contrôler exactement les pressions d'enclenchement et de déclenchement conformément aux limites de fonctionnement.

6.6.3 Régler la pression du condenseur

- Régler la pression du condenseur de manière à ce que la différence de pression minimale soit atteinte en 20 s maximum après le démarrage du compresseur.
- Éviter une chute rapide de la pression grâce à une régulation de pression finement graduée.

Pour les limites d'application, se reporter au prospectus SP-160 et à BITZER SOFTWARE version 6.8 ou supérieure.

6.6.4 Contrôler les caractéristiques de fonctionnement

- Température d'évaporation
- Température du gaz d'aspiration
- Température de condensation
- Température du gaz de refoulement
 - au moins 20 K au-dessus de la température de condensation
 - max. 120°C à l'extérieur au niveau de la conduite de gaz de refoulement
- Température de l'huile juste en dessous du voyant d'huile
- Fréquence d'enclenchements
- Valeurs électriques
- Tension
- Créer un protocole de données.

Pour l'enregistrement automatique des données et lectures de ces données, voir ST-160.

Pour les limites d'application, se reporter au prospectus SP-160 et à BITZER SOFTWARE version 6.8 ou supérieure.

6.6.5 Période de temps entre deux démarrages du compresseur (fréquence d'enclenchements)

La commande du CF impose une période de temps d'au moins 5 minutes entre deux démarrages du compresseur. Ce temps doit également être respecté pendant les courses d'essai et les travaux d'entretien !

AVIS

Risque de défaillance du moteur !
Régler absolument la logique de commande de façon à respecter les exigences données !

- Durée de marche minimale à atteindre : 5 minutes !
- Réduire autant que possible la fréquence d'enclenchements après la mise en service. Voir à ce sujet ST-160.

6.6.6 Vibrations et fréquences

Contrôler l'installation sur l'ensemble de la plage de régimes afin de détecter toute vibration anormale

Le régime du compresseur modifie aussi la fréquence de pulsation de la colonne de gaz dans la conduite du gaz de refoulement et la fréquence d'excitation au niveau des pieds du compresseur et de la tuyauterie. Cela peut générer des effets de résonance dans les tuyaux et dans d'autres composants de l'installation.

Contrôler l'ensemble de l'installation très soigneusement pour détecter toute vibration anormale, en particulier au niveau des conduites et des tubes capillaires. Si de fortes vibrations se produisent, prendre des mesures mécaniques : par exemple monter des colliers de serrage sur les conduites/tubes ou insérer un amortisseur de vibrations.

AVIS

Risque de rupture de tuyau et de fuite au niveau du compresseur et des composants de l'installation !
Éviter les vibrations importantes !

Vérifier la présence de toute vibration anormale y compris pendant le fonctionnement.

Exclure de la programmation du convertisseur de fréquences les régimes sur lesquels des résonances apparaissent quand même. À ce sujet, voir ST-160.

6.6.7 Remarques particulières pour le fonctionnement sûr du compresseur et de l'installation

Les analyses prouvent que les défaillances du compresseur sont souvent dues à des modes de fonctionnement non autorisés. Ceci vaut particulièrement pour les défauts dus à un défaut de lubrification :

- Fonctionnement du détendeur – prendre en compte les remarques du constructeur !
 - Positionner la sonde de température correctement au niveau de la conduite du gaz d'aspiration et la fixer.
 - Si un échangeur de chaleur interne est utilisé : positionner normalement la sonde après l'évaporateur – en aucun cas après l'échangeur de chaleur.
 - Garantir une surchauffe suffisante du gaz d'aspiration et des températures de gaz de refoulement minimales.
 - Mode de fonctionnement stable dans n'importe quelles conditions de fonctionnement et n'importe quel état de charge (y compris charge partielle, fonctionnement estival/hivernal).
 - Phase liquide et sans bulles à l'entrée du détendeur, voir avant même l'entrée du sous-refroidisseur de liquide en cas de fonctionnement en mode ECO.
- Éviter tout déplacement de fluide frigorigène du côté haute pression vers le côté basse pression ou le compresseur en cas de temps d'arrêt prolongés !
 - Pour que le réchauffeur d'huile continue de fonctionner, le compresseur doit toujours être alimenté en tension même lorsqu'il est à l'arrêt. Cela vaut pour toutes les applications.
 En cas d'installation dans des zones de basses températures, il peut être nécessaire d'isoler le séparateur d'huile. Au démarrage du compresseur, la température de l'huile mesurée sous le voyant d'huile doit être de 15 .. 20 K au-dessus de la température ambiante.
 - Commutation de séquences automatique sur les installations avec circuits frigorifiques multiples (env. toutes les 2 heures).
 - Monter un clapet de retenue additionnel dans la conduite de gaz de refoulement si en cas d'arrêts prolongés, aucune égalisation de température ou de pression n'est atteinte.
 - Le cas échéant, monter une commande par pump down commandée en fonction du temps ou de la pression ou un séparateur de liquide à l'aspiration – en particulier en cas de grande contenance en

fluide frigorigène et/ou quand l'évaporateur est susceptible de chauffer plus que la conduite de gaz d'aspiration ou le compresseur.

- Pour d'autres remarques relatives à la pose de la tuyauterie, se reporter au manuel SH-170.



Information

Pour les fluides frigorigènes à faible exposant isentropique (p. ex. R134a), un échangeur de chaleur entre les conduites de gaz de refoulement et de fluide peut avoir un effet positif sur le fonctionnement et le coefficient de performance de l'installation.

Ajuster la sonde de température du détendeur comme décrit ci-dessus.

7 Fonctionnement

7.1 Contrôles réguliers

Contrôler régulièrement l'installation conformément aux réglementations nationales. Contrôler en particulier les points suivants :

- Caractéristiques de fonctionnement, voir chapitre Démarrage du compresseur, page 66.
- Lire sur la commande CF les données enregistrées.
- Alimentation d'huile, voir chapitre Démarrage du compresseur, page 66.
- Dispositifs de protection et toutes les pièces servant à contrôler le compresseur (clapets de retenue, limiteur de température du gaz de refoulement, pressostat différentiel d'huile, limiteur de pression, etc.).
- S'assurer que les connexions des câbles et les assemblages à vis sont suffisamment serrés.
- Pour le couple de serrage des assemblages à vis, se reporter à SW-100.
- Contrôler la charge de fluide frigorigène.
- Essai d'étanchéité.
- Contrôler à nouveau l'installation sur l'ensemble de la plage de régimes afin de détecter toute vibration anormale
- Soigner le procès-verbal.

7.2 Eau condensée

Dans le cas d'applications avec humidité de l'air élevée, faible surchauffe du gaz d'aspiration et/ou étanchéification insuffisante des passe-câbles, il est possible que de l'eau condensée se forme dans le corps du CF. Dans ce cas, il est possible d'évacuer l'eau condensée en retirant le bouchon de vidange.

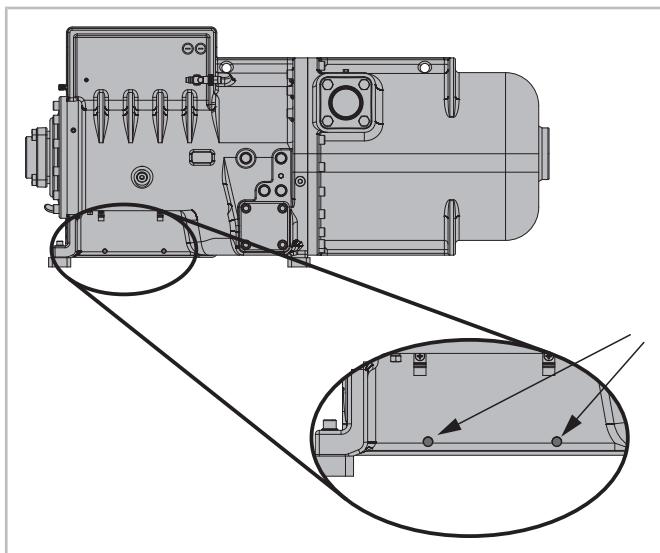


Fig. 13: Bouchons de vidange pour l'eau condensée au niveau du corps du CF

Lorsque les bouchons de vidange sont enlevés, la classe de protection du corps du CF passe de IP54 à IP22.

8 Maintenance

Prendre en compte la documentation annexe des nouveaux composants !

8.1 Remplacement de l'huile



AVIS

Endommagement du compresseur dû à une huile d'ester décomposée.

L'humidité est liée chimiquement dans l'huile d'ester et ne peut pas être évacuée par la mise sous vide.

Il faut agir avec une précaution extrême :

Éviter l'introduction d'air dans l'installation et le bidon d'huile.

N'utiliser que des bidons d'huile toujours fermés par le bouchon d'origine !

Les huiles listées, voir chapitre champs d'application, page 59, se distinguent par leur très haut degré de stabilité. En cas de montage dans les règles ou d'utilisation de filtres fins côté aspiration, il est donc en général superflu de remplacer l'huile. En cas de défaut du compresseur ou du moteur, effectuer un test d'acidité. Si nécessaire, prendre des mesures de nettoyage : Installer un filtre d'absorption d'acide (bidirectionnel) et remplacer l'huile. Purger l'installation côté refoulement à son point le plus haut et récupérer le fluide frigorigène dans un collecteur de recyclage. Après quelques heures de fonctionnement, remplacer à nouveau le filtre et l'huile (uniquement en cas de besoin) et purger l'installation.

Remplacer l'huile

Si un changement d'huile est nécessaire, il est recommandé de remplacer aussi le filtre d'huile intégré ; voir ci-dessous.



AVERTISSEMENT

Le compresseur est sous pression !

Risque de blessures graves.

Évacuer la pression du compresseur !

Porter des lunettes de protection !

- Vidanger l'huile du corps du compresseur et du moteur. Les positions de vidange d'huile au niveau du compresseur sont les positions de raccordement 5 et 6 voir chapitre Raccords et croquis cotés, page 59.
- Remplir avec une nouvelle huile.
- Recycler l'huile usée de façon adaptée.

8.2 Remplacer le filtre à huile

- Préparer le filtre à huile neuf.

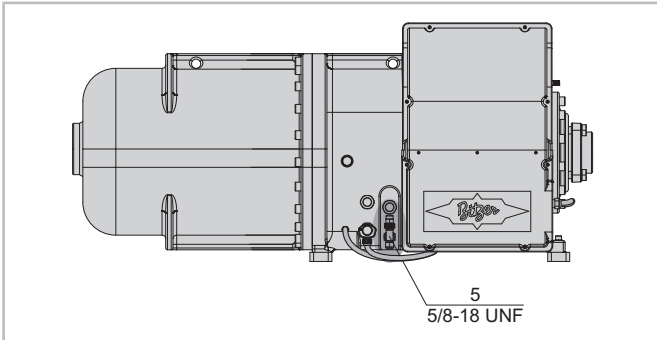


Fig. 14: Vidanger l'huile au niveau de la vanne d'huile pour maintenance (5)

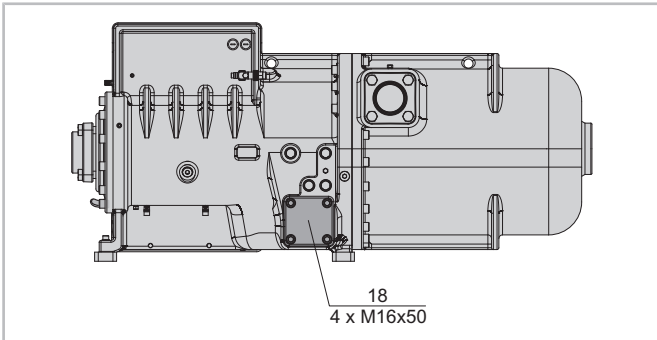


Fig. 15: Bride de filtre à huile (18)

- Placer un bac plat en dessous de la vanne d'huile pour maintenance (5) et de la bride du filtre à huile (18).
- Vider l'huile et la recycler de façon adaptée.
- Ouvrir la bride rectangulaire du filtre à huile et la tirer vers l'avant.

Le filtre à huile intégré est monté sur la face arrière de la bride.

- Dévisser le filtre à huile de la bride.
- Monter un nouveau filtre à huile sur la bride.
- Remplacer le joint torique situé au niveau du trou sur la face supérieure de la bride.
- Insérer la bride avec le nouveau filtre à huile et le nouveau joint torique. Ce faisant, orienter vers le haut le trou accueillant le joint torique. Vis : M16x50



AVIS

Risque d'endommagement du compresseur. Ne serrer les vis et les écrous qu'au couple de serrage prescrit et, si possible, en croix et en 2 étapes minimum.

- Remplir avec une nouvelle huile.

- Vérifier l'étanchéité avant la mise en service.

8.3 Soupape de décharge incorporée

La soupape ne nécessite aucune maintenance. Elle affiche une différence de pression de réponse de 21 bar.

Cependant, en cas de dégonflement répété en raison de conditions de fonctionnement anormales, une fuite permanente est possible. Résultat, les performances sont réduites et la température du gaz de refoulement augmente.

8.4 Clapet de retenue incorporé

Après l'arrêt, le compresseur fonctionne un court instant en sens inverse (env. 5 s, jusqu'à l'égalisation de pression dans le séparateur d'huile). En cas de dysfonctionnement ou d'encrassement, ce temps s'allonge. Le clapet doit alors être remplacé.

Remplacement du clapet de retenue incorporé



AVERTISSEMENT

Le compresseur est sous pression !
Risque de blessures graves.
Évacuer la pression du compresseur !
Porter des lunettes de protection !



- Retirer la vanne d'arrêt du gaz de refoulement ou le raccord de tube.

En dessous se trouve le clapet de retenue.

- Remplacer le clapet de retenue et les deux joints.
- Monter avec précaution la vanne d'arrêt du gaz de refoulement ou le raccord de tube.

Si les vannes d'arrêt doivent être tournées ou remontées :



AVIS

Risque d'endommagement du compresseur. Serrer les vis au couple de serrage prescrit et en croix, en 2 étapes minimum. Avant la mise en service, essayer l'étanchéité !

9 Mettre hors service

9.1 Arrêt

Alimenter le compresseur en tension jusqu'au démontage même lors des temps d'arrêt afin de maintenir en fonctionnement le réchauffeur d'huile. Cela évite un trop grand enrichissement de l'huile en fluide frigorigène.

Si un arrêt prolongé sans alimentation en tension est prévu : Fermer les vannes d'arrêt.



AVERTISSEMENT

Risque d'évaporation du fluide frigorigène à partir de l'huile.



En fonction du fluide frigorigène, risque accru dû à l'inflammabilité !

Les compresseurs arrêtés et l'huile usée peuvent encore contenir une quantité relativement importante de fluide frigorigène dissous. Fermer les vannes d'arrêt et aspirer le fluide frigorigène !

9.2 Démontez le compresseur



DANGER

Tensions très dangereuses à l'intérieur du corps du CF !



Tout contact peut provoquer des blessures graves ou la mort.

Ne jamais ouvrir le corps du CF en cours de fonctionnement !

Mettre l'interrupteur principal hors circuit et le sécuriser contre toute remise en marche !

Attendre au moins 5 minutes jusqu'à ce que tous les condensateurs soient déchargés !

Avant la remise en marche, refermer le corps du CF.

- Séparer le compresseur de l'alimentation en tension.



AVERTISSEMENT

Le compresseur est sous pression !

Risque de blessures graves.



Évacuer la pression du compresseur !

Porter des lunettes de protection !

- Fermer les vannes d'arrêt du compresseur.
- Aspirer le fluide frigorigène. Ne pas dégonfler le fluide frigorigène mais le recycler de façon adaptée !
- Retirer les assemblages à vis ou la bride des vannes du compresseur.

- Retirer le compresseur de l'installation, si nécessaire en utilisant un engin de levage voir chapitre Transporter le compresseur, page 53.

9.3 Éliminer le compresseur

Vidanger l'huile du compresseur. L'huile usée devra être recyclée de façon adaptée ! Faire réparer le compresseur ou l'éliminer dans le respect de l'environnement !

Si des compresseurs ayant fonctionné avec un fluide frigorigène combustible sont renvoyés, les marquer du symbole « Attention, gaz combustible », car du fluide frigorigène peut toujours se trouver dans l'huile.



80440903 // 08.2017

Subject to change
Änderungen vorbehalten
Toutes modifications réservées

BITZER Kühlmaschinenbau GmbH
Eschenbrünnlestraße 15 // 71065 Sindelfingen // Germany
Tel +49 (0)70 31 932-0 // Fax +49 (0)70 31 932-147
bitzer@bitzer.de // www.bitzer.de